

# Veriton 3500 series

(Veriton 3500/Veriton 3500G)

User's guide

Copyright © 2002 Acer Incorporated  
All Rights Reserved.

Veriton 3500 series  
(Veriton 3500/Veriton 3500G)  
User's guide

Changes may be made periodically to the information in this publication without obligation to notify any person of such revision or changes. Such changes will be incorporated in new editions of this manual or supplementary documents and publications. This company makes no representations or warranties, either expressed or implied, with respect to the contents hereof and specifically disclaims the implied warranties of merchantability or fitness for a particular purpose.

Record the model number, serial number, purchase date, and place of purchase information in the space provided below. The serial number and model number are recorded on the label affixed to your computer. All correspondence concerning your unit should include the serial number, model number, and purchase information.

No part of this publication may be reproduced, stored in a retrieval system, or transmitted, in any form or by any means, electronic, mechanical, photocopy, recording, or otherwise, without the prior written permission of Acer Incorporated.

Model Number : \_\_\_\_\_

Serial Number: \_\_\_\_\_

Purchase Date: \_\_\_\_\_

Place of Purchase: \_\_\_\_\_

Acer and the Acer Logo are registered trademarks of Acer Inc. Other company's product names or trademarks are used herein for identification purposes only and belong to their respective companies.

# Notices

## FCC notice

This device has been tested and found to comply with the limits for a Class B digital device pursuant to Part 15 of the FCC Rules. These limits are designed to provide reasonable protection against harmful interference in a residential installation. This device generates, uses, and can radiate radio frequency energy and, if not installed and used in accordance with the instructions, may cause harmful interference to radio communications.

However, there is no guarantee that interference will not occur in a particular installation. If this device does cause harmful interference to radio or television reception, which can be determined by turning the device off and on, the user is encouraged to try to correct the interference by one or more of the following measures:

- Reorient or relocate the receiving antenna
- Increase the separation between the device and receiver
- Connect the device into an outlet on a circuit different from that to which the receiver is connected
- Consult the dealer or an experienced radio/television technician for help

### **Notice: Shielded cables**

All connections to other computing devices must be made using shielded cables to maintain compliance with FCC regulations.

### **Notice: Peripheral devices**

Only peripherals (input/output devices, terminals, printers, etc.) certified to comply with the Class B limits may be attached to this equipment. Operation with noncertified peripherals is likely to result in interference to radio and TV reception.



-----  
**Caution:** Changes or modifications not expressly approved by the manufacturer could void the user's authority, which is granted by the Federal Communications Commission, to operate this computer.

## **Use conditions**

This part complies with Part 15 of the FCC Rules. Operation is subject to the following two conditions: (1) this device may not cause harmful interference, and (2) this device must accept any interference received, including interference that may cause undesired operation.

### **Notice: Canadian users**

This Class B digital apparatus meets all requirements of the Canadian Interference-Causing Equipment Regulations.

### **Remarque à l'intention des utilisateurs canadiens**

Cet appareil numérique de la classe B respecte toutes les exigences du Règlement sur le matériel brouilleur du Canada.

## **Important safety instructions**

Read these instructions carefully. Save these instructions for future reference.

- 1 Follow all warnings and instructions marked on the product.
- 2 Unplug this product from the wall outlet before cleaning. Do not use liquid cleaners or aerosol cleaners. Use a damp cloth for cleaning.
- 3 Do not use this product near water.
- 4 Do not place this product on an unstable cart, stand, or table. The product may fall, causing serious damage to the product.
- 5 Slots and openings in the housing and the back or bottom are provided for ventilation; to ensure reliable operation of the product and to protect it from overheating, these openings must not be blocked or covered. The openings should never be blocked by placing the product on a bed, sofa, rug, or other similar surface. This product should never be placed near or over a radiator or heat register, or in a built-in installation unless proper ventilation is provided.
- 6 This product should be operated from the type of power indicated on the marking label. If you are not sure of the type of power available, consult your dealer or local power company.
- 7 Do not allow anything to rest on the power cord. Do not locate this product where persons will walk on the cord.
- 8 If an extension cord is used with this product, make sure that the total ampere rating of the equipment plugged into the extension cord does not exceed the extension cord ampere rating. Also, make sure that the total rating of all products plugged into the wall outlet does not exceed the fuse rating.
- 9 Never push objects of any kind into this product through cabinet slots as they may touch dangerous voltage points or short out parts that could

- result in a fire or electric shock. Never spill liquid of any kind on the product.
- 10 Do not attempt to service this product yourself, as opening or removing covers may expose you to dangerous voltage points or other risks. Refer all servicing to qualified service personnel.
  - 11 Unplug this product from the wall outlet and refer servicing to qualified service personnel under the following conditions:
    - a. When the power cord or plug is damaged or frayed
    - b. If liquid has been spilled into the product
    - c. If the product has been exposed to rain or water
    - d. If the product does not operate normally when the operating instructions are followed. Adjust only those controls that are covered by the operating instructions since improper adjustment of other controls may result in damage and will often require extensive work by a qualified technician to restore the product to normal condition.
    - e. If the product has been dropped or the cabinet has been damaged
    - f. If the product exhibits a distinct change in performance, indicating a need for service.
  - 12 Replace the battery with the same type as the product's battery we recommend. Use of another battery may present a risk of fire or explosion. Refer battery replacement to a qualified serviceman.
  - 13 **Warning!** Batteries may explode if not handled properly. Do not disassemble or dispose of them in fire. Keep them away from children and dispose of used batteries promptly.
  - 14 Use only the proper type of power supply cord set (provided in your accessories box) for this unit. It should be a detachable type: UL listed/CSA certified, type SVT, rated 7A 125V minimum, VDE approved or its equivalent. Maximum length is 15 feet (4.6 meters).

## Laser compliance statement

The CD or DVD drive in this computer is a laser product. The CD or DVD drive's classification label (shown below) is located on the drive.

CLASS 1 LASER PRODUCT

**CAUTION:** INVISIBLE LASER RADIATION WHEN OPEN. AVOID EXPOSURE TO BEAM.

## Lithium battery statement

### **CAUTION**

Danger of explosion if battery is incorrectly replaced. Replace only with the same or equivalent type recommended by the manufacturer. Discard used batteries according to the manufacturer's instructions.

## Macrovision<sup>®</sup> statement

This product incorporates copyright protection technology that is protected by method claims of certain U.S. patents and other intellectual property rights owned by Macrovision Corporation and other rights owners. Use of this copyright protection technology must be authorized by Macrovision Corporation, and is intended for home and other limited viewing uses only unless otherwise authorized by Macrovision Corporation. Reverse engineering or disassembly is prohibited.

## Year 2000 compliance statement

The Veriton 3500 series computer carries the "Hardware NSTL Tested Year 2000 Compliant" logo, which certifies that this model has been tested by NSTL using the YMark2000 test, and has been found to meet NSTL's standards for Year 2000 hardware compliance.



For more details, check the Acer Year 2000 Resource Center at ([global.acer.com/service/pcy2000.html](http://global.acer.com/service/pcy2000.html)).

# Contents

Notices	iii
FCC notice	iii
Important safety instructions	iv
Laser compliance statement	v
Lithium battery statement	vi
Macrovision® statement	vi
Year 2000 compliance statement	vi
1 First things first	1
Package contents	3
Taking care of your computer	4
Important tips	4
Cleaning and servicing	4
Asking for technical assistance	5
Accessing the user's guide	6
2 System tour	7
Features	9
Performance	9
Multimedia	9
Connectivity	9
Front panel	11
Rear panel	13
Keyboard	15
Function keys	16
Lock keys	16
Windows keys	17
Cursor keys	17
Palm rest	17
Volume control/Mute knob	18
Multimedia keys	18
Internet/Suspend keys	19
Programmable keys	19
Mouse	20
Disk drives	21
Floppy drive	21
CD-ROM/DVD-ROM/CD-RW drive	22
Hard disk	24
3 Setting up your computer	25
Arranging a comfortable work area	27

Adjusting your chair	27
Positioning your PC	27
Positioning your monitor	30
Positioning your keyboard	30
Positioning your mouse	30
Connecting peripherals	31
Connecting your mouse	31
Connecting your keyboard	34
Connecting a monitor	36
Connecting the power cable	37
Turning on your computer	38
Turning off your computer	39
Connecting options	40
Connecting your printer	40
Connecting the modem	41
Connecting to the network	42
Connecting multimedia devices	43
Connecting USB devices	46
4 Upgrading your computer	49
Installation precautions	51
ESD precautions	51
Preinstallation instructions	51
Post-installation instructions	52
Opening your computer	53
To remove the computer cover	53
To replace the computer cover	54
Internal components	55
System boards	56
Mainboard layout	56
Audio board	61
Upgrading your computer	62
Installing additional memory	62
Replacing the hard disk	64
Installing an expansion card	68
5 System utilities	71
Acrobat Reader	74
LDCM	75
Norton AntiVirus	76
NTI CD-Maker	77
PowerDVD	78
BIOS utility	79



Reinstalling programs	80
Recovering your system	80
6 Frequently asked questions	81
Index	87



1 First things first

This chapter describes the contents of your computer package and also provides important tips on how to take care of your computer.

# Package contents

Before you unpack your computer, make sure that you have enough space to set up your computer.

Carefully unpack the carton and remove the contents. If any of the following items are missing or damaged, contact your dealer immediately:

- Veriton 3500 series
- Items contained in the accessory box
  - Foot stands
  - USB or PS/2 mouse
  - Power cable
- Speakers (available in select countries)
- USB or PS/2 keyboard
- User's guide and installation poster
- Other user documentation and third-party software

# Taking care of your computer

Please read the important instructions listed in this section. Following these instructions will help you maximize the durability of your computer.

## Important tips

- Do not expose the computer to direct sunlight. Do not place it near sources of heat, such as a radiator.
- Do not subject the computer to magnetic fields.
- Do not expose the computer to rain or moisture.
- Do not spill water on the computer.
- Do not subject the computer to heavy shock or vibration.
- Do not expose the computer to dust and dirt.
- Never place the system on uneven surfaces.
- Do not step on the power cord or place heavy objects on top of it. Carefully route the power cord and any cables away from personal traffic.
- When unplugging the power cord, do not pull on the cord itself but pull on the plug.
- The total ampere rating of the equipment plugged in should not exceed the ampere rating of the cord if you are using an extension cord. Also, the total current rating of all equipment plugged into a single wall outlet should not exceed the fuse rating.
- Check the documentation that came with your software programs to see if you can select other combinations of resolution and color. These adjustments could make viewing the screen more comfortable.

## Cleaning and servicing

### To clean your computer and keyboard

- 1 Turn off the computer and unplug the power cord.
- 2 Use a soft cloth moistened with water and gently wipe the exterior of the computer and the keyboard. Do not use liquid or aerosol cleaners.

## To clean your pointing device

To clean a regular mouse (with rubber ball):

- 1 Open the circular cover underneath the mouse.
- 2 Take out the rubber ball and wipe it with a soft, damp cloth.
- 3 Put the ball back and close the cover.

To clean an optical mouse:

For optical mouse users, refer to the documentation that came with your mouse for maintenance instructions.

## To clean your monitor

Make sure that you keep your screen clean. For cleaning instructions, refer to the documentation that came with your monitor.

## When to contact a service technician

- If you dropped and damaged the computer
- If liquid has been spilled into the computer
- If the computer is not operating normally
- If a computer problem persists even after you have checked and done the trouble shooting tips discussed in the “Frequently-asked questions” section on page 81
- If your problem is not listed in the “Frequently-asked questions” section on page 81
- If you want to replace or upgrade any of your computer’s internal component

## Asking for technical assistance

For technical assistance, contact your local dealer or distributor. You may also access the Web site ([www.acersupport.com](http://www.acersupport.com)) for information on how and where to contact the service centers available in your area.

# Accessing the user's guide

This user's guide is also available on your computer as an Adobe Acrobat PDF file.

## To access the user's guide (for Windows XP)

- 1 On the Windows XP taskbar, click on the Start button then select Help and Support Center.
- 2 On the Help and Support Center home page, double-click the Veriton 3500 series Online icon.

## To access the user's guide (for Windows 2000)

- 1 Double-click on the Veriton 3500 series Online icon on your Windows desktop.



## 2 System tour

This chapter discusses the features and components of your computer.

# Features

Here are just a few of your computer's many features:

## Performance

- Intel Pentium® 4 processor
- System memory expandable to a maximum of 2GB using DDR (Double Data Rate) SDRAM DIMM modules



.....

**Note:** To capitalize on the system memory capacity mentioned above, you must use 1-GB memory modules which are not yet available in the market. The biggest capacity currently available is 512-MB which allows a maximum of 1GB.

- Power management function
- 3.5-inch floppy drive
- DVD-ROM, CD-ROM or CD-RW drive
- High-capacity, Enhanced-IDE hard disk
- Supports USB 2.0 high-performance peripherals

## Multimedia

- 128-bit graphics accelerator installed in the AGP card slot
- 3-D quality audio system via onboard audio controller
- Audio-in/Line-in, Audio-out/Line-out, Headphone-out, and Microphone-in interfaces



.....

**Note:** The system has two microphone-in jacks (front and rear). However, you can not use both of them at the same time. By default, your system enables the microphone-in jack in front and disables the one at the back.

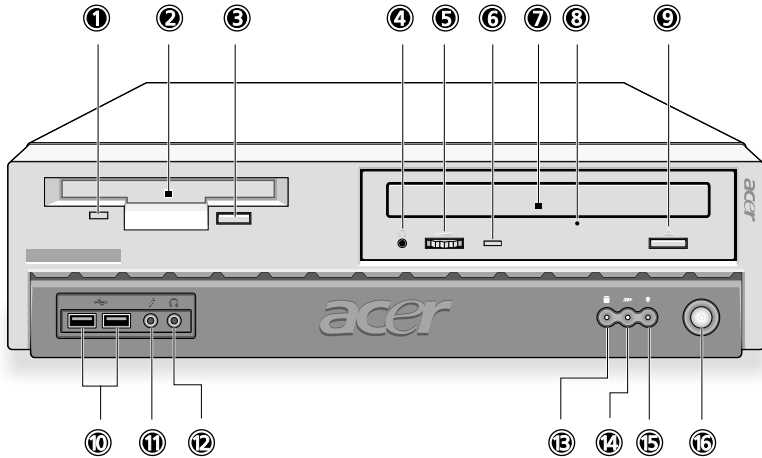
## Connectivity





- Two PS/2 interfaces for mouse and keyboard
- One serial port







- One parallel port
- One VGA port
- Six Universal Serial Bus (USB) ports (two on the front and four on the rear panel)
- High-speed fax/data PCI modem (optional)
- 10Base-T/100Base-TX network support with remote wake-up function

# Front panel

Your computer's front panel consists of the following:



Label	Icon	Component
1		Floppy drive light-emitting diode (LED)
2		3.5-inch floppy drive
3		Floppy drive eject button
4		CD-ROM/DVD-ROM/CD-RW Headphone/Earphone port
5		Volume control
6		CD-ROM/DVD-ROM/CD-RW LED
7		CD-ROM/DVD-ROM/CD-RW tray
8		CD-ROM/DVD-ROM/CD-RW emergency eject slot
9		Stop/Eject button
10		USB ports

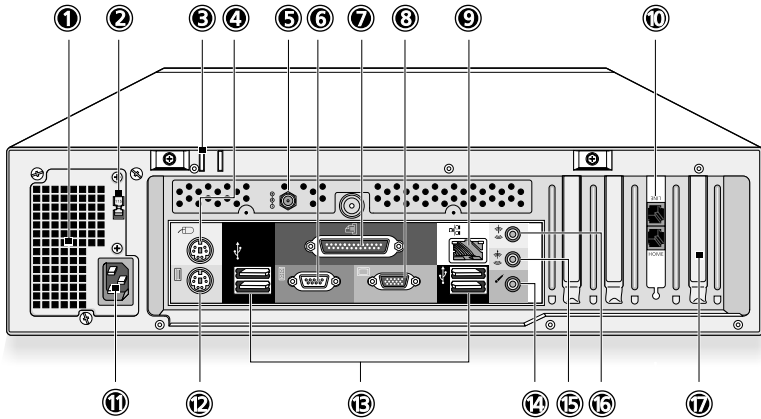
Label	Icon	Component
11		Microphone-in jack (front) <sup>see note</sup>
12		Headphone-out port
13		Hard disk activity LED
14		LAN activity LED
15		Power LED
16		Power button


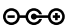












**Note:** The system has two microphone-in jacks (front and rear). However, you can not use both of them at the same time. By default, your system enables the microphone-in jack in front and disables the one at the back.

# Rear panel

Your computer's rear panel consists of the following:



Label	Icon	Color	Component
1			Power supply
2			Voltage selector switch
3			Keyhole
4		Green	PS/2 mouse port
5			Power jack (for external speakers)
6		Teal or Turquoise	Serial port
7		Burgundy	Parallel/Printer port
8		Blue	Monitor port
9		White	Network port

Label	Icon	Color	Component
10			Modem line and Telephone port
11			Power cord socket
12		Purple	PS/2 keyboard port
13		Black	USB ports
14		Pink	Microphone-in jack (rear)
15		Lime	Audio-out/Line-out jack
16		Light blue	Audio-in/Line-in jack
17			Expansion slots

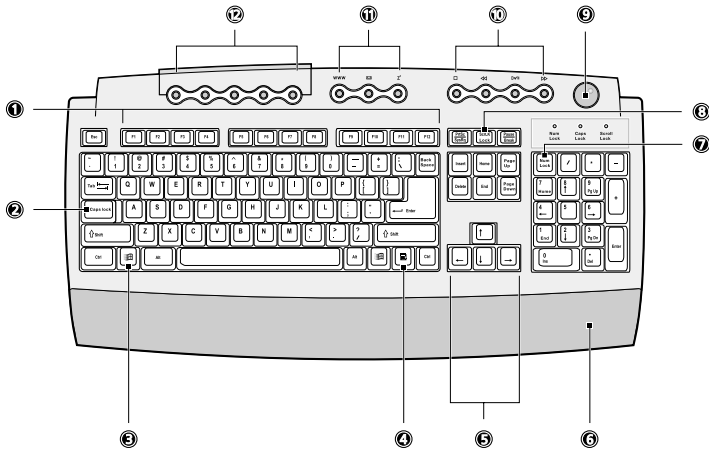
For information on how to connect the peripherals, see “Connecting peripherals” on page 31 and “Connecting options” on page 40.



# Keyboard

The keyboard that came with your computer has full-sized keys that include separate cursor keys, two Windows keys, and twelve function keys.

For information on how to connect your USB keyboard, please see “Connecting peripherals” on page 31.



No.	Description
1	Function keys
2	Caps lock
3	Windows logo key
4	Application key
5	Cursor keys
6	Palm rest
7	Num lock key
8	Scroll lock key

No.	Description
9	Volume control/Mute knob
10	Multimedia keys
11	Internet/Suspend keys
12	Programmable keys

## Function keys

The function keys, F1 - F12, let you perform specific functions, depending on the application that uses them.



## Lock keys

The keyboard has three lock keys which you can toggle on and off to switch between two functions.

Lock key	Description
Caps Lock	When activated, all alphabetic characters typed appear in uppercase (same function as pressing Shift + <letter>).
Num Lock	When activated, the keypad is set to numeric mode; i.e., the keys function as a calculator (complete with arithmetic operators such as +, -, * and /).
Scroll Lock	When activated, the screen moves one line up or down when you press the up arrow or down arrow respectively. Take note that Scroll Lock may not work with some applications.

## Windows keys

The keyboard has two keys that perform Windows-specific functions.

Key	Description
Windows logo key 	Start button. Combinations with this key perform special functions, such as: <ul style="list-style-type: none"> <li>• <b>Windows + Tab:</b> Activate the next Taskbar button</li> <li>• <b>Windows + E:</b> Explore My Computer</li> <li>• <b>Windows + F:</b> Find Document</li> <li>• <b>Windows + M:</b> Minimize All</li> <li>• <b>Shift + Windows + M:</b> Undo Minimize All</li> <li>• <b>Windows + R:</b> Display the Run dialog box</li> </ul>
Application key 	Opens the applications context menu (same function as clicking the right button of the mouse).

## Cursor keys

The cursor keys, also called the arrow keys, let you move the cursor around the screen. They serve the same function as the arrow keys on the numeric keypad when the Num Lock is toggled off.

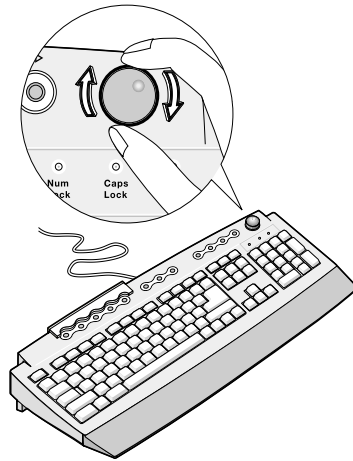
## Palm rest

The detachable palm rest provides you a comfortable place to rest your hands while typing.

## Volume control/Mute knob




The volume control/mute knob controls the speaker volume. Turn it clockwise or counterclockwise to adjust the volume. Press it to toggle between mute and sound.



## Multimedia keys

Allow you to conveniently play, pause, stop, step forward, or step back a song or movie using your keyboard.


Icon	Key	Description
▶▶ /	Play/Pause	Press to start playing the audio track or video file. Press again to pause.
■	Stop	Press to stop playing the audio track or video file.
▶▶	Forward	Press to skip forward to the next track or video file and start playing.

Icon	Key	Description
	Backward	Press to skip backward to the previous track or video file and start playing.

---

## Internet/Suspend keys

The Internet/Suspend keys consist of three buttons:

Icon	Key	Description
	Email	Launches your email application.
<b>WWW</b>	Web browser	Launches your current default browser.
<b>Z</b>	Suspend	Press this button to put system to sleep.

---

## Programmable keys

The programmable keys help you directly access a URL (Web site) or launch any program, files, or application in your system. The fifth key is set to launch the Windows Media Player. If you want to configure the settings of each key, right click on the Magic Keyboard icon located on the desktop.

# Mouse

The mouse has one ratchet wheel and two buttons: a left button and a right button. Quickly pressing and releasing the buttons is called clicking. Sometimes, you will need to do a double-click (clicking the same button twice quickly) or a right-click (clicking the right button quickly).

The ratchet wheel in between the two buttons is added to provide easier scrolling capability. By simply moving the wheel with your index finger, you can quickly move through multiple pages, lines, or windows. The wheel may also function as a third button allowing you to quickly click or double-click an icon or a selected item.

For information on how to connect your mouse, see “Connecting peripherals” on page 31.

## USB Mouse



## PS/2 Mouse



For information on how to clean your mouse, see “To clean your pointing device” on page 5.



.....  
**Note:** If you are left-handed, refer to your Windows manual for instructions on how to set up your mouse for left-handed use.

# Disk drives

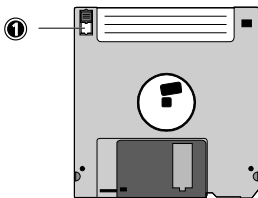
Your computer comes with the following disk drives:

## Floppy drive

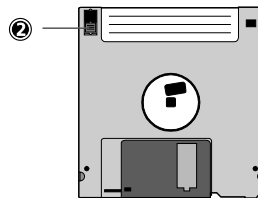
Your computer's 3.5-inch floppy drive accepts 720-KB and 1.44-MB capacity diskettes.

The floppy diskettes are compact, lightweight, and easy to carry around. Here are some tips on how to take care of your diskettes:

- Always make backup copies of the diskettes that contain important data or program files.
- Keep diskettes away from magnetic fields and sources of heat.
- Avoid removing a diskette from a drive when the floppy drive activity light is on.
- Write-protect your diskettes to prevent accidental erasure. To do this, slide the write-protect tab to the write-protect position.



1-Write-protected



2-Not Write-protected

- When you put a label on a 3.5-inch diskette, make sure that the label is properly attached (flat on the surface) and within the labeling area (area with a slight surface depression) on the diskette. An improperly attached label may cause a diskette to get stuck in a drive when you are inserting or removing it.

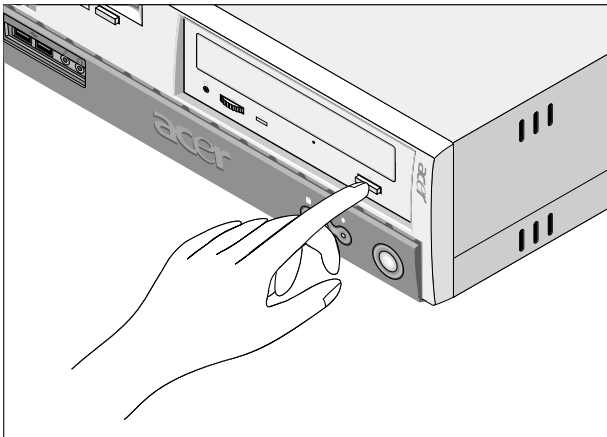
## CD-ROM/DVD-ROM/CD-RW drive

Your computer may come with a CD-ROM, DVD-ROM or a CD-RW drive. This drive is located on the front panel of your computer. The CD-ROM drive allows you to play different types of compact discs (CDs). The DVD-ROM drive allows you to play not only old CD-ROMs, CD-I discs, and video CDs, but new digital video discs (DVDs) as well. DVD or DVD-ROM is a type of disc media that holds a minimum of 4.7-GB (gigabytes), enough for a full-length movie. It may eventually replace CD-ROMs, as well as VHS video cassettes and laser discs. The CD-RW drive allows you to record or burn CD-RW (recordable or rewritable) discs.

CDs and DVDs, like diskettes, are also compact, lightweight, and easy to carry around. However, they are more delicate than diskettes and must be handled with extra care.

To insert a CD or DVD into your computer's CD or DVD drive:

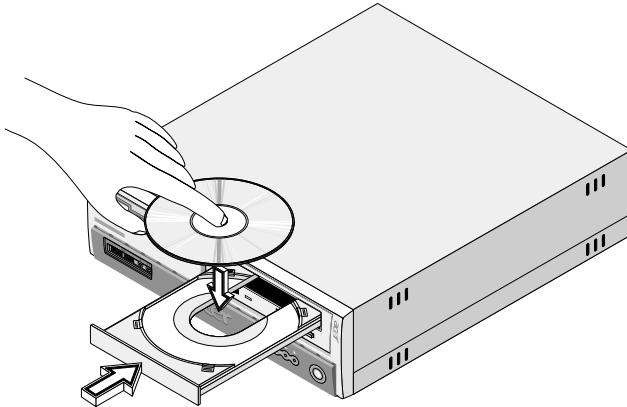
- 1 Gently push the Eject button located on the front panel.



**Caution:** Avoid using low quality CDs, CD-Rs and CD-RWs, because they could be damaged by your computer's CD or DVD drive.



- 2 When the disc tray slides open, place the CD or DVD gently on the tray. Make sure that the label or title side of the disc is facing upward. When holding a disc, hold it by the edges to avoid leaving smudges or fingerprints.



- 3 Push the Eject button again to close the tray.

### To take care of your CDs and DVDs:

- Keep your discs in a disk case when not in use to avoid scratches or other damage. Any kind of dirt or damage can affect the data on the disc, impair the disc lens reader on the CD or DVD drive, or stop the computer from successfully reading the disc.
- When handling discs, always hold them by the edges to avoid smudges or fingerprints.
- When cleaning discs, use a clean, dust-free cloth and wipe in a straight line from the center to the edge. Do not wipe in a circular motion.
- Clean your CD or DVD drive periodically. You may refer to the Cleaning kit for instructions. Cleaning kits can be purchased in any computer or electronics shop.

## Hard disk

Your computer is preinstalled with a high-capacity Enhanced-IDE (E-IDE) hard disk.

Refer to "Replacing the hard disk" on page 64 for instructions on how to upgrade or replace your hard disk

# 3 Setting up your computer

This chapter contains step-by-step instructions on how to set up your computer and connect additional peripherals.

# Arranging a comfortable work area

Working safely begins with the arrangement of your work space and the proper use of equipment. For this reason, it is very important to take time and think about how you are going to arrange your work area.

Here are some points to consider:

## Adjusting your chair

Having the right kind of chair does not necessarily mean that you'll be properly supported. It is necessary to adjust your chair to fit your body. Proper body posture will make you more comfortable and productive.

- Avoid tilting your chair. If you have a chair that tilts, lock the tilt knobs so that your chair will not tilt forward or backward while you are using your computer.
- Adjust your chair height in such a way that you can sit on it with your thighs parallel to the floor and your feet resting flat on the floor.
- Rest your body on the chair back. Your torso works harder to maintain balance if you do not rest your body on the chair back.

## Positioning your PC

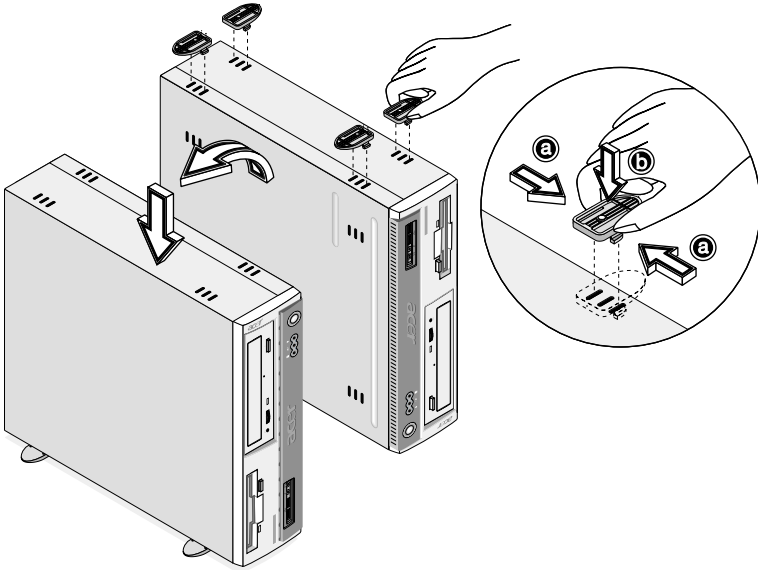
You may position your computer in two ways:

- Tower-like/vertical position
- Regular desktop position

### To position your PC in the tower-like or vertical position:

- 1 Check the foot stands that came with your computer.
- 2 Install the foot stands.  
Press the notch on both sides of the foot stands (a).

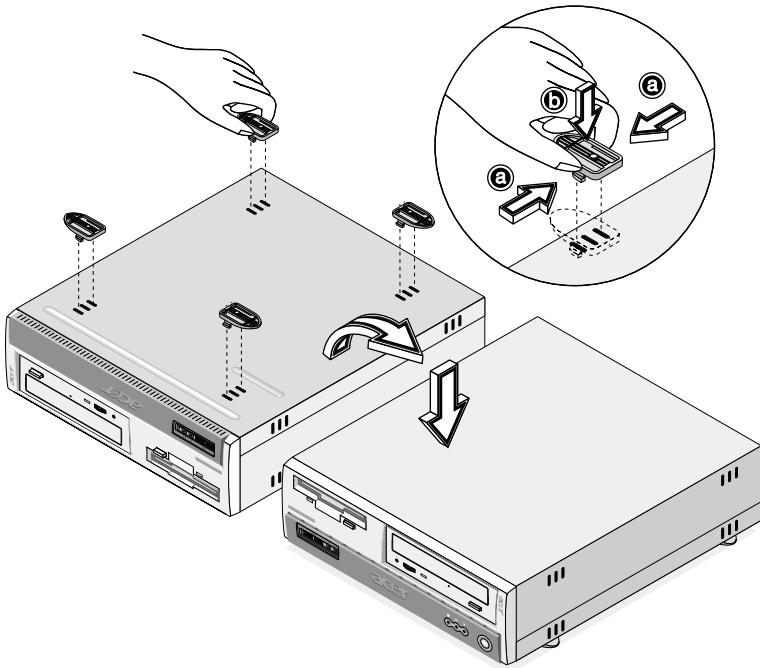
Attach the foot stands to the slots on the housing frame (b) as shown in the figure below:



To place your PC in the regular desktop position:

- 1 Check the foot stands that came with your computer.

- 2 Attach the foot stands as shown in the figure that follows.



- 3 Place your computer in the desired location.

Take note of the following when selecting a location for your computer:

- Do not put your computer near any equipment that might cause electromagnetic or radio frequency interference such as radio transmitters, televisions, copy machines, or heating and air-conditioning equipment.
- Avoid dusty areas and extremes of temperature and humidity.
- You may place your computer beside your desk or under your table, as long as it does not block the space that you need for working and moving.

## Positioning your monitor

Place your monitor at a comfortable viewing distance, usually 50 to 60 centimeters away. Adjust the display in such a way that the top of the screen is at or slightly below eye level.

## Positioning your keyboard

The location of the keyboard is a very important factor to your posture. Placing it too far away will make your body lean forward forcing you to sit in an unnatural position. Placing it too high will add tension to your shoulder muscles.

- The keyboard should be placed just above your lap. Adjust the keyboard height by flipping the folding stands located under the keyboard.
- Keep your lower arms parallel to the floor as you type. Your upper arms and shoulders should be relaxed. Then try typing with a light touch. If you feel any shoulder or neck strain, stop for a while and check your posture.
- Position your keyboard in front of your monitor. Putting your keyboard beside your monitor will make you turn your head while you type which could add tension to your neck muscles that may later result in neck strain.

## Positioning your mouse

- The mouse should be placed on the same surface as your keyboard so that you can reach it with ease.
- Adjust its position to allow enough space for movement without making you stretch or lean over.
- Use your arm to move the mouse. Do not rest your wrist on the table when moving the mouse.



# Connecting peripherals

Setting up your computer is easy. For the most part, you only have four things to connect: the mouse, the keyboard, the monitor, and the power cable.




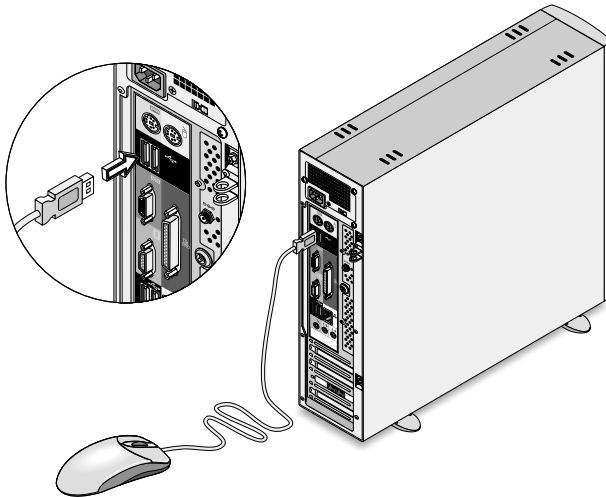
.....

**Note:** The peripherals shown in the connections below are for your reference only. Actual device models may vary in select countries.


## Connecting your mouse

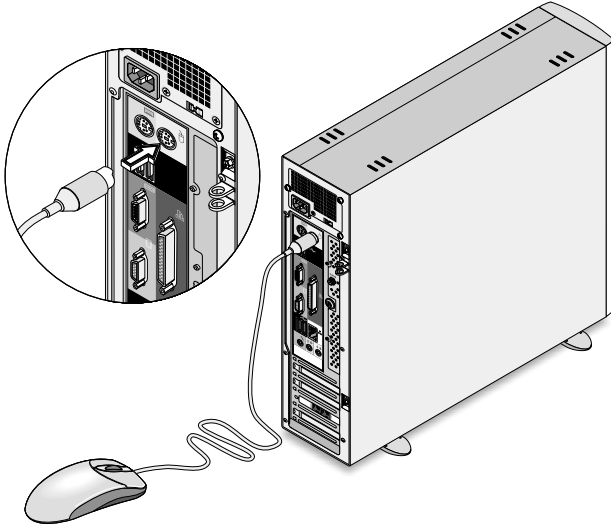
### USB mouse

Plug your USB mouse cable into any of the USB ports (black port) located on the front and rear panel of your computer. 




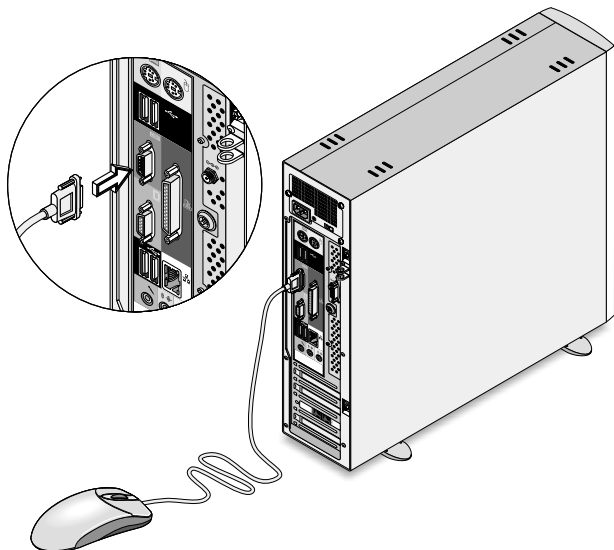
## PS/2 mouse

Plug the PS/2 mouse cable into the PS/2 mouse port  (green port) located on the rear panel of your computer.



## Serial mouse

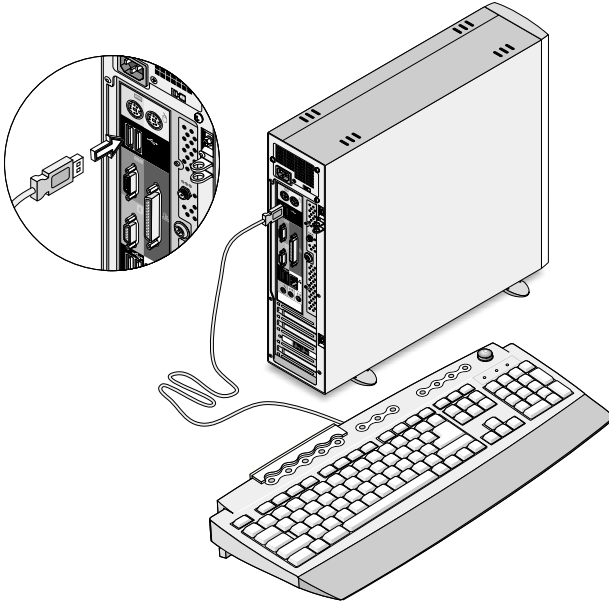
Plug the serial mouse cable into the serial port  (teal or turquoise port) located on the rear panel of your computer.




# Connecting your keyboard

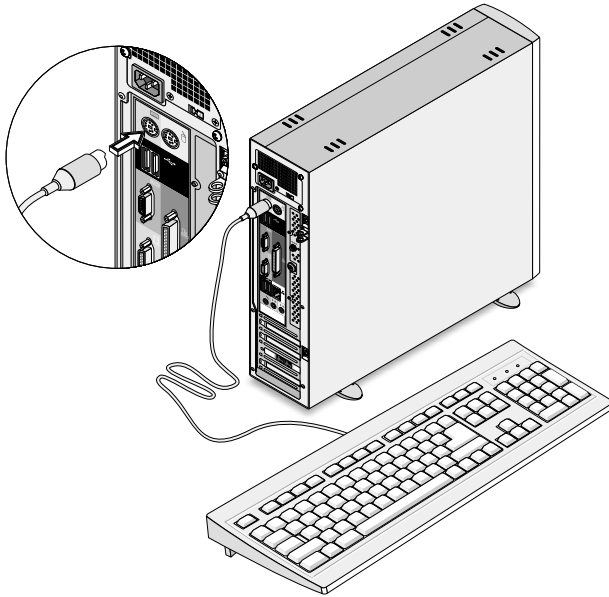
## USB keyboard

Plug your USB keyboard cable into any of the USB ports (black port) located on the front and rear panel of your computer.




## PS/2 keyboard

Plug your PS/2 keyboard cable into the PS/2 keyboard port  (purple port) located on the rear panel of your computer.



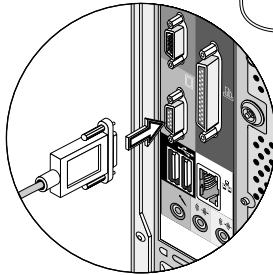
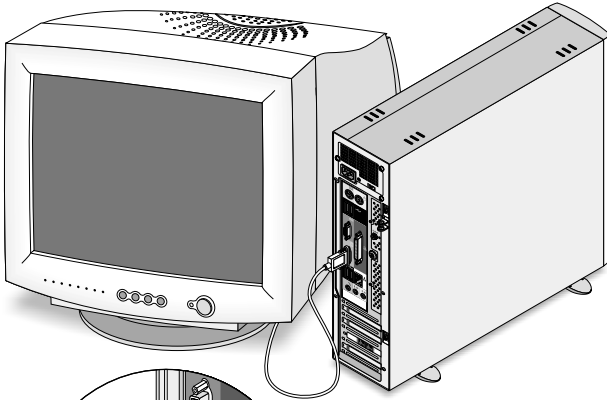
## Connecting a monitor

To connect a monitor, simply plug the monitor cable into the monitor

port  (blue port) located on the rear panel of your computer.



**Note:** Refer to the monitor manual for additional instructions and information.

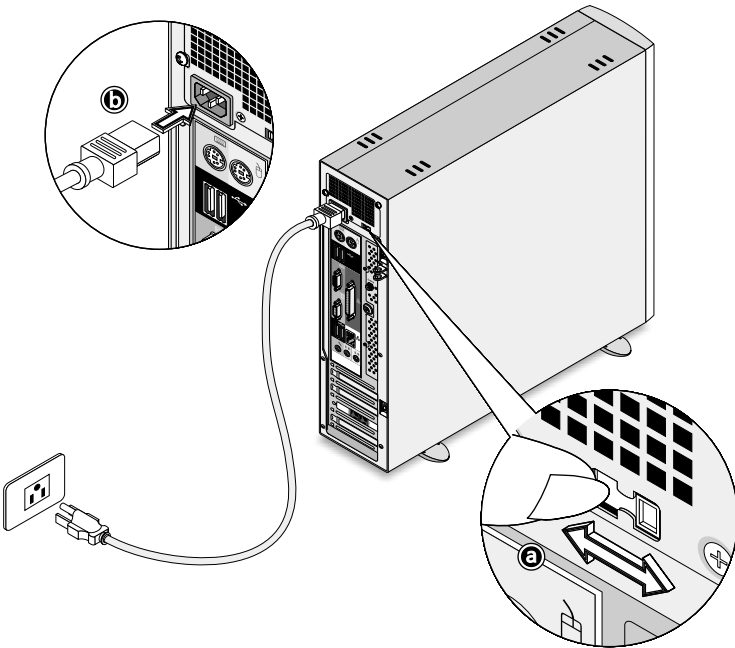


## Connecting the power cable



**Caution!** Before you proceed, check the voltage range in your area. Make sure that it matches your computer's voltage setting . If they don't match, set the voltage selector switch to the voltage range applicable to your area.

Set the voltage selector switch to the voltage range applicable to your area (a). Plug the power cable into the power cable socket located on the rear panel of your computer (b). Then plug the other end of the power cable into a power outlet.

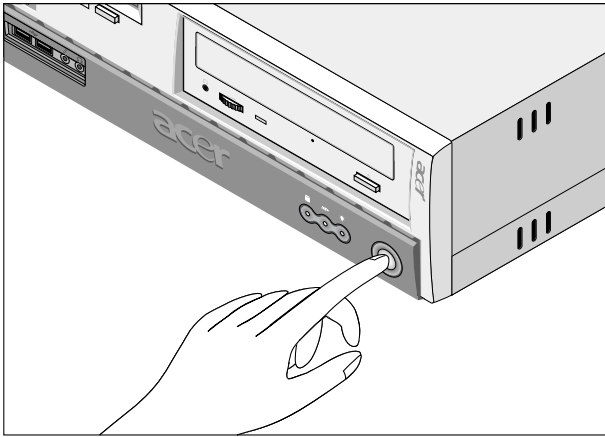


# Turning on your computer

After connecting the necessary peripherals and plugging in the power cable, you are now ready to turn the computer on and get to work.

To turn on your computer:

- 1 Turn on all peripherals connected to your computer such as the monitor, printer, fax, speakers, etc.
- 2 On the front panel of your computer, press the Power button.



**Important:** Make sure that the power cable is properly plugged into an electrical outlet. If you are using a power strip or an AVR (Auto-Voltage Regulator), make sure that it is plugged in and turned on.



# Turning off your computer

To turn off your computer, follow the steps below.

For Windows XP:

- 1 On the Windows XP taskbar, click on the Start button, and click Turn Off Computer; then click Turn Off.
- 2 Turn off all peripherals connected to your computer.

For Windows 2000:


- 1 On the Windows 2000 taskbar, click on the Start button, highlight Shut Down, select Shut down from the drop down window then click on OK.
- 2 Turn off all peripherals connected to your computer.

If you cannot shut down your computer normally, press the power button for at least four seconds. Quickly pressing the button may put the computer in Suspend mode only.

# Connecting options

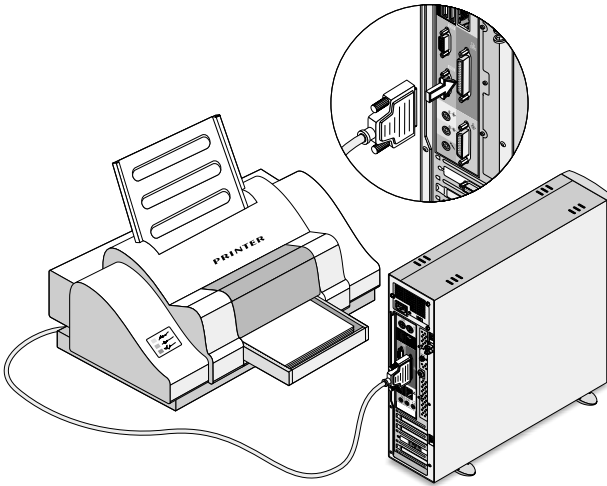
## Connecting your printer

Your computer supports parallel, serial and USB printers.

To connect a parallel printer, plug the printer cable into the parallel port  (burgundy port) located on the rear panel of your computer.





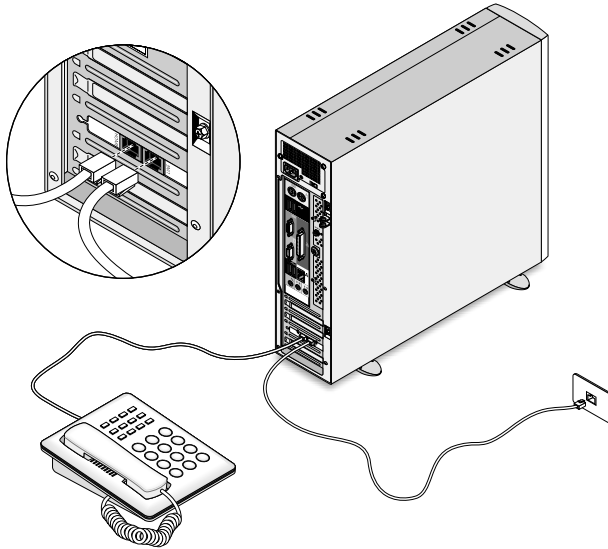
.....  
**Note:** The printer shown below is for your reference only. Actual device model may vary in select countries.




.....  
**Note:** If you are using a serial printer, connect the printer cable into the serial port located on the rear panel of your computer. In the same manner, connect a USB printer by plugging the printer cable into any of the USB ports located on the front and rear panel.

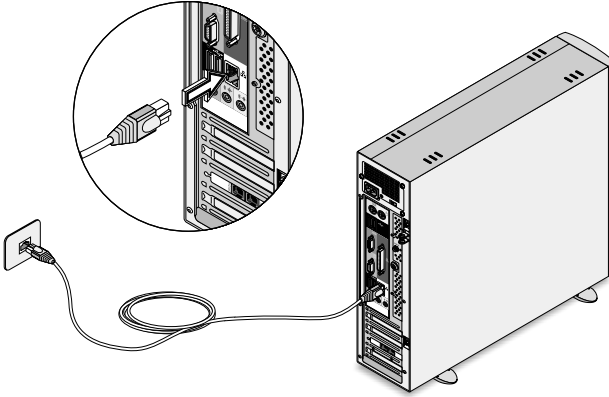
## Connecting the modem (optional)

Set up your modem connection by plugging the telephone line   
and modem line  into their corresponding ports on the rear panel  
of your computer.



## Connecting to the network

You can connect your computer to a Local Area Network (LAN) using a network cable. To do so, simply plug the network cable into the network port  (white port) on the rear panel of your computer.



**Note:** Consult your operating system manual for information on how to configure your network setup.

## Connecting multimedia devices

You can connect multimedia devices such as microphone, earphone or headphone, external speakers, and audio line-in device. These devices will allow you to take advantage of your computer's multimedia features.



.....


**Note:** The multimedia devices shown below are for your reference only. Actual device models may vary in select countries.

Plug the devices in as follows:



.....

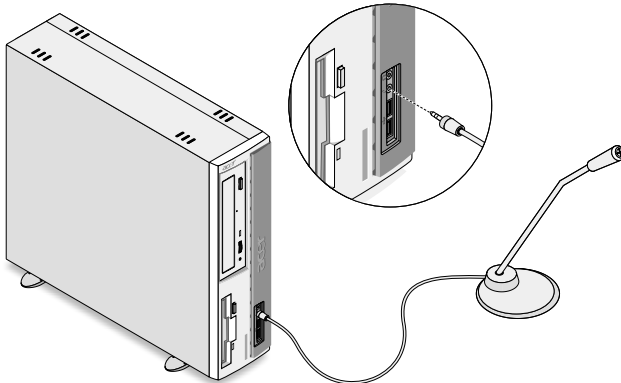
**Note:** For information on how to configure multimedia devices, consult the documentation that came with each device.


- microphone: connects to the microphone-in jack  (pink port) located on the front and rear panel of your computer



.....

**Note:** The system has two microphone-in jacks (front and rear). However, you can not use both of them at the same time. By default, your system enables the microphone-in jack in front and disables the one at the back.

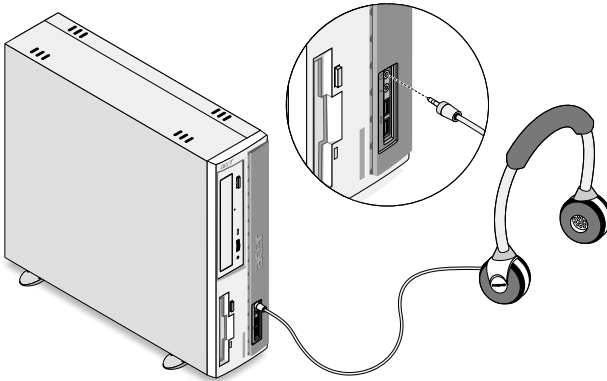


- earphones, headphones: connect to the Headphone-out port  (lime port) located on the front panel of your computer

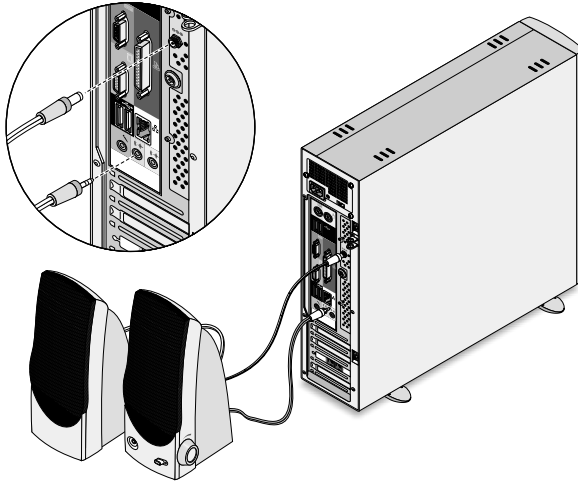


.....

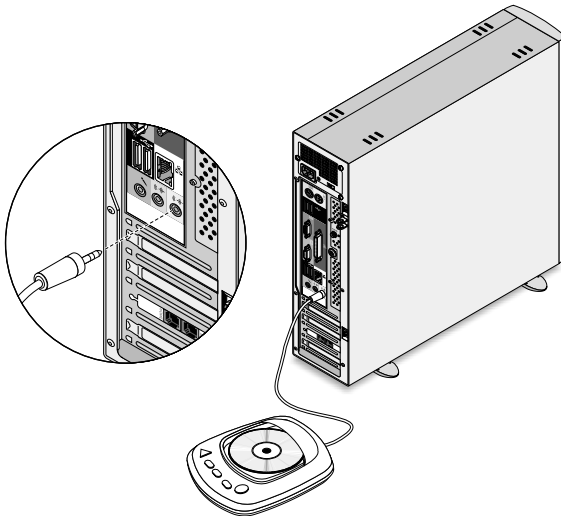
**Note:** To adjust the volume of the headphones, click on the Volume icon located on the taskbar at the bottom of your screen. When the Volume control pops up, drag the Volume control lever to the desired level. You can also use the Volume control button on the keyboard.



- external speakers: connect to the Audio-out/Line-out jack (🔊) (lime jack) and Speaker power jack (🔊) located on the rear panel of your computer




- audio line-in device: connect to the Audio-in/Line-in jack (🔊) (light blue jack) located on the rear panel of your computer



## Connecting USB devices

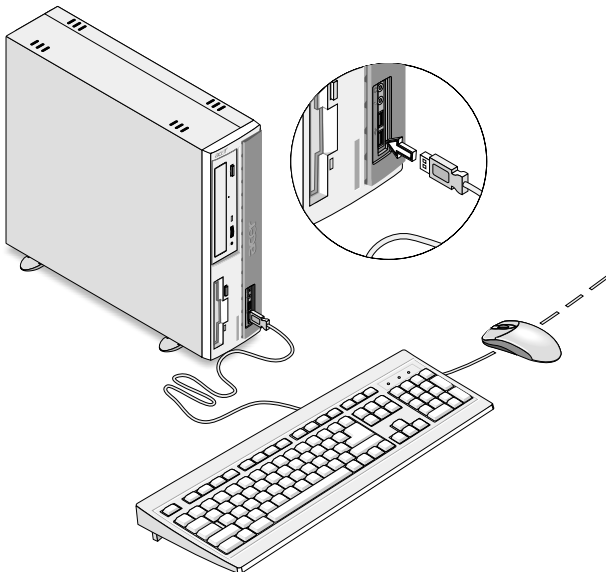
Universal Serial Bus (USB) is a serial bus design that is capable of cascading peripherals such as a digital camera, keyboard, mouse, joystick, scanner, printer and modem. With USB, complex cable connections can be eliminated.

Your computer comes with six USB ports: two on the front and another four on the rear panel. These ports support USB 2.0 high-performance external devices such as webcams and digital still cameras. They also allow you to connect additional USB devices to your computer without using up its system resources.

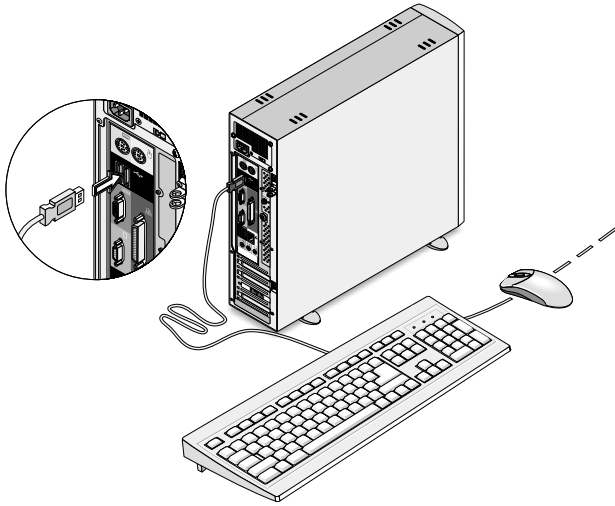
To connect a USB device, simply plug the device cable into any of the USB ports  (black port).



.....  
**Note:** The USB devices shown below are for your reference only. Actual device models may vary in select countries.







**Note:** Some USB devices have a built-in USB port which allows you to connect or daisy-chain more USB devices.



## 4 Upgrading your computer

This chapter contains instructions on how to upgrade your computer and basic information about your system boards that you will find helpful when performing the upgrade process.

# Installation precautions

Before you install any computer component, we recommend that you read the following sections. These sections contain important ESD precautions along with preinstallation and post-installation instructions.

## ESD precautions

Electrostatic discharge (ESD) can damage your processor, disk drives, expansion boards, and other components. Always observe the following precautions before you install a computer component:

- 1 Do not remove a component from its protective packaging until you are ready to install it.
- 2 Wear a wrist grounding strap and attach it to a metal part of the computer before handling components. If a wrist strap is not available, maintain contact with the computer throughout any procedure requiring ESD protection.

## Preinstallation instructions

Always observe the following before you install any component:

- 1 Turn off your computer and all the peripherals connected to it before opening it. Then unplug all cables from the power outlets.
- 2 Open your computer according to the instructions on page 53.
- 3 Follow the ESD precautions described above before handling a computer component.
- 4 Remove any expansion boards or peripherals that block access to the DIMM sockets or component connector.
- 5 See the following sections for specific instructions on the component you wish to install.



.....

**Warning! Not turning off the computer properly before you start installing the components may cause serious damage.**

**Do not attempt the procedures described in the following sections unless you are a qualified service technician.**

## Post-installation instructions

Observe the following after installing a computer component:

- 1 See to it that the components are installed according to the step-by-step instructions in their respective sections.
- 2 Replace any expansion boards or peripherals that you removed earlier.
- 3 Replace the computer cover.
- 4 Connect the necessary cables and turn on your computer.

# Opening your computer



**Caution:** Before you proceed, make sure that you have turned off your computer and all peripherals connected to it. Read the “Preinstallation instructions” on page 51.

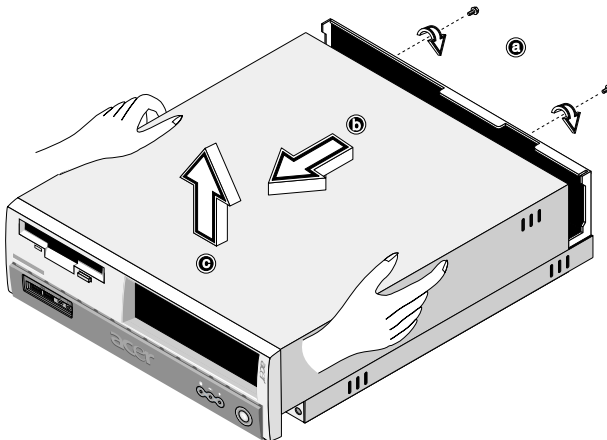
You need to open your computer before you can install additional components. See the following section for instructions.

## To remove the computer cover

- 1 Turn off your computer and unplug all cables.
- 2 Place your computer on a flat, steady surface. If your computer is in the vertical position, remove the foot stands and place your computer in the regular desktop position.
- 3 Remove the two screws from the rear panel using a screwdriver (a) and set the screws aside.

Hold the sides of the cover with both hands.

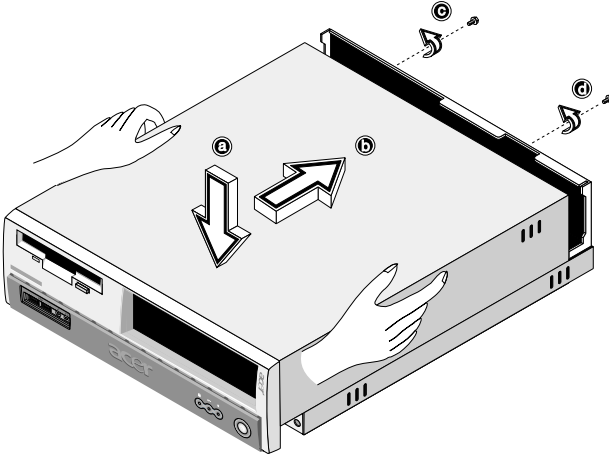
Slide it back about an inch (b) and then gently lift it upward to detach it (c).



## To replace the computer cover

- 1 Align the cover's hinges to the housing frame (a); then gently push it in to slide it back into place (b).

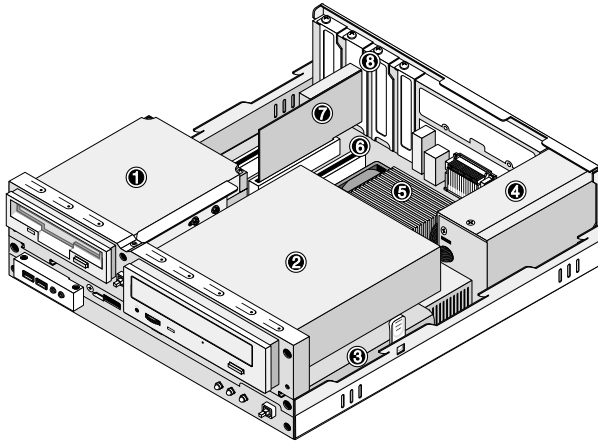
Secure the cover with two screws you removed earlier (c,d).





# Internal components

The figure below shows what your computer looks like once you remove the cover:



Number	Component
1	3.5-inch floppy drive
2	CD-ROM/DVD-ROM/CD-RW drive
3	Drive frame
4	Power supply
5	Mainboard <small>see note</small>
6	VGA card
7	Modem card
8	Expansion slot



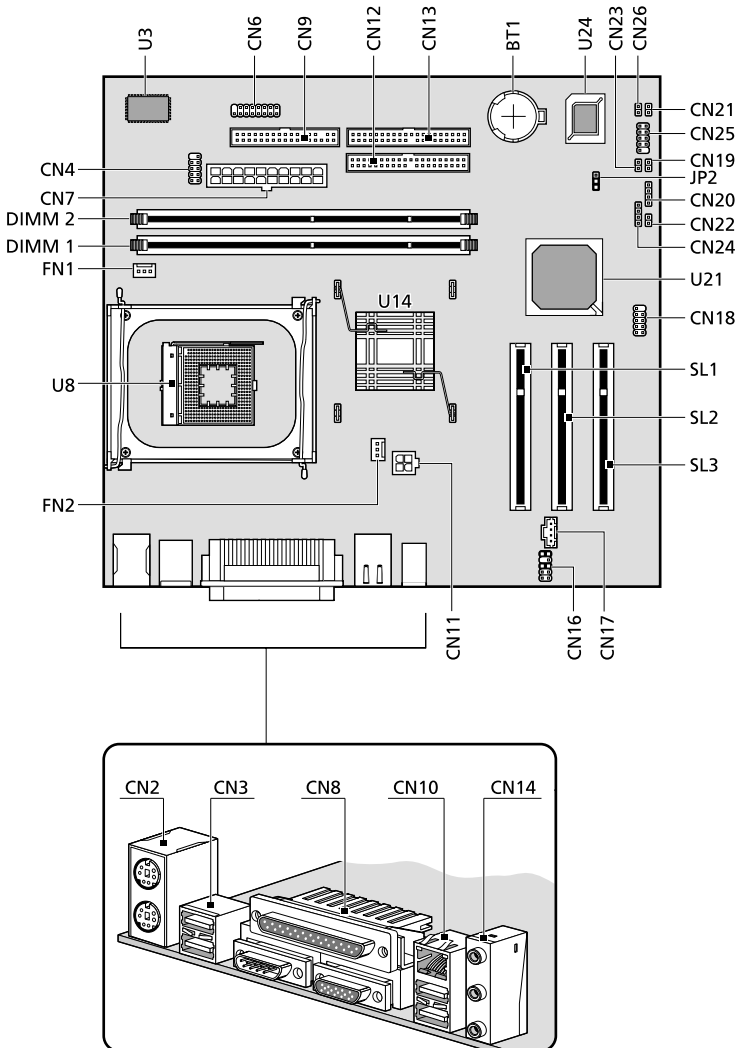
**Note:** The mainboard model shown in the figure above may not be exactly the same with the one found in your computer.

# System boards

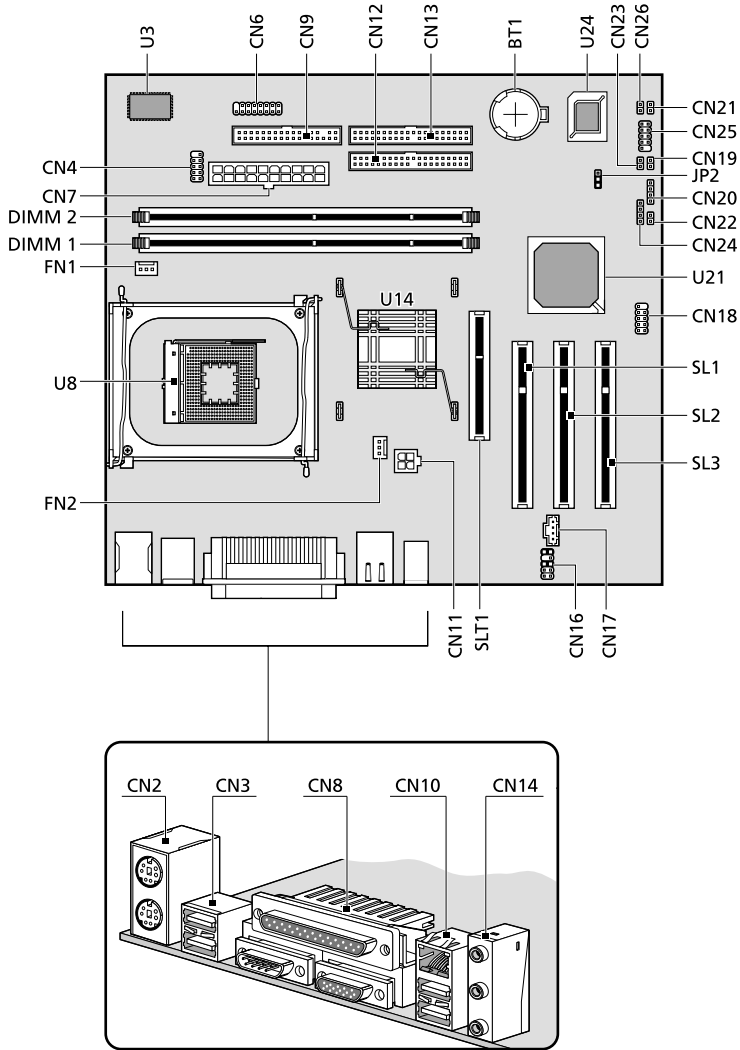
## Mainboard layout

The mainboard becomes accessible once you open your computer. Refer to the section below for the corresponding mainboard layout of your Veriton 3500 series computer model.

## Veriton 3500 mainboard layout



# Veriton 3500G mainboard layout



Label	Component
BT1	Battery
CN2	PS/2 mouse (upper) and keyboard (lower) ports
CN3	USB ports
CN4	COM 2 connector
CN6	Game port
CN7	Power connector
CN8	Parallel (upper), serial (left) and monitor (right) ports
CN9	FDD connector
CN10	Network (upper) and USB (lower) ports
CN11	Power connector (12V power)
CN12	IDE 2 connector
CN13	IDE 1 connector
CN14	Line-out (top), line-in (middle), and rear microphone-in (bottom) ports
CN16	Audio FPIO connector
CN17	CD-in connector
CN18	Front USB 2.0 connector
CN19	LAN active LED connector
CN20	HDD LED connector
CN21	Power button
CN22	Intrusion connector
CN23	Serial IRQ connector

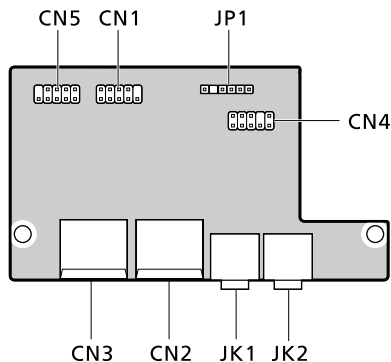
Label	Component
CN24	Power/Suspend LED connector
CN25	Standard FPIO connector
CN26	Power LED connector
DIMM 1 DIMM 2	DIMM sockets 1-2
FN1	3-pin CPU fan connector
FN2	3-pin system fan connector
JP2	1-2 Clear CMOS 2-3 Normal
SL1 to SL3	PCI slots 1 to 3
SLT1 (for Veriton 3500G)	AGP slot <i>see note</i>
U3	SMSC chipset
U8	CPU socket
U14	Intel 845 chipset
U21	Intel ICH4 chipset
U24	BIOS chipset



**Note:** For the location of the AGP slot on the Veriton 3500G mainboard, see page 58.

## Audio board

The audio board that came with your computer should look like the figure that follows.



Label	Description
CN1	USB 1.1 connector
CN2 and CN3	USB ports
CN4	Standard Audio connector - connects to the CN16 of the mainboard
CN5	USB connector - connects to the CN3 connector of the mainboard
JK1	Microphone-in jack (front) <sup>see note</sup>
JK2	Audio-out port
JP1	Audio connector



**Note:** The system has two microphone-in jacks (front and rear). However, you can not use both of them at the same time. By default, your system enables the microphone-in jack in front and disables the one at the back.

# Upgrading your computer

Certain components of your computer are upgradeable such as the memory, the hard disk, the CPU and the expansion cards. You need to observe the “Installation precautions” on page 51 when installing or removing a computer component. However, for safety purposes, we do not recommend that you perform these upgrades yourself. If you want to replace or upgrade any of these components, contact your dealer or a qualified service technician for assistance.



-----

**Note:** The mainboard model shown in the following figures may not be exactly the same with the one found in your computer.

## Installing additional memory

The two 184-pin sockets on the mainboard support Double Data Rate (DDR) Synchronous Dynamic Random Access Memory (SDRAM)-type DIMMs. You may install 128-MB, 256-MB, 512-MB or 1-GB DIMMs for a maximum memory capacity of 2 GB.



-----

**Note:** To capitalize on the system memory capacity mentioned above, you must use 1-GB memory modules which are not yet available in the market. The biggest capacity currently available is 512-MB which allows a maximum of 1GB.

The DDR DIMMs should work under 2.5 volts. You can install PC2100/DDR266 DDR module on the DDR DIMM sockets. Contact your dealer for qualified DIMM vendors.

Each DDR DIMM socket is independent from the other. This independence allows you to install DDR DIMMs with different capacities to form different configurations.

## To remove a DDR DIMM



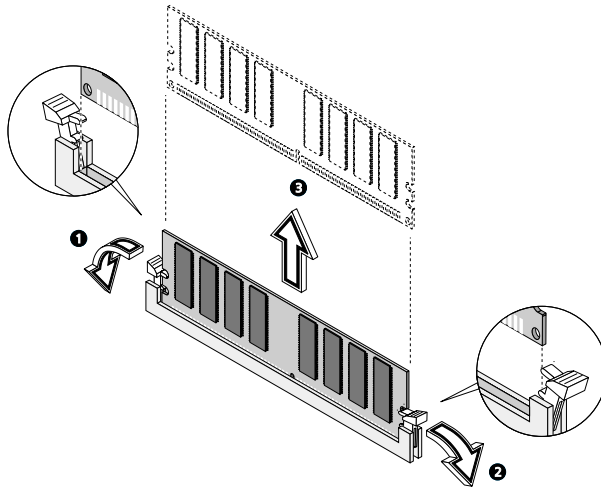
-----

**Note:** The DDR DIMM has only one notch located on the center of the module.

- 1 Remove the computer cover (see page 53).



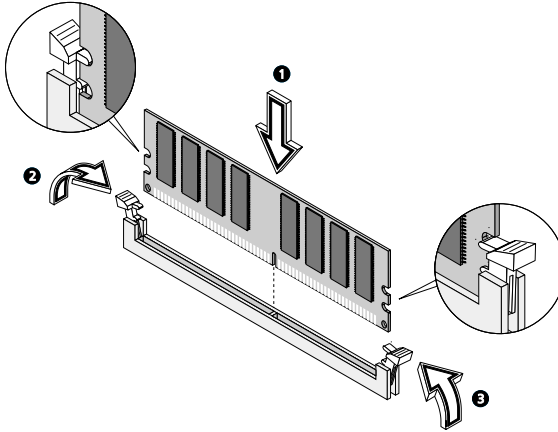
- 2 Locate the DDR DIMM socket on the mainboard.
- 3 Press the holding clips on both sides of the DDR DIMM socket outward to release the DDR DIMM (1,2). Gently pull the DDR DIMM out of the socket (3).



## To install a DDR DIMM

- 1 Locate the DDR DIMM socket on the mainboard.

- 2 Align the DDR DIMM with the socket (1). Press the DDR DIMM into the socket until the clips lock onto the DDR DIMM (2,3).



**Note:** The DDR DIMM sockets are slotted to ensure proper installation. If you insert a DDR DIMM but it does not fit easily into the socket, you may have inserted it incorrectly. Turn the DDR DIMM around and try to insert it again.

## To reconfigure your computer

Your computer automatically detects the amount of memory installed. Run the BIOS utility to view the new value for total system memory and make a note of it.

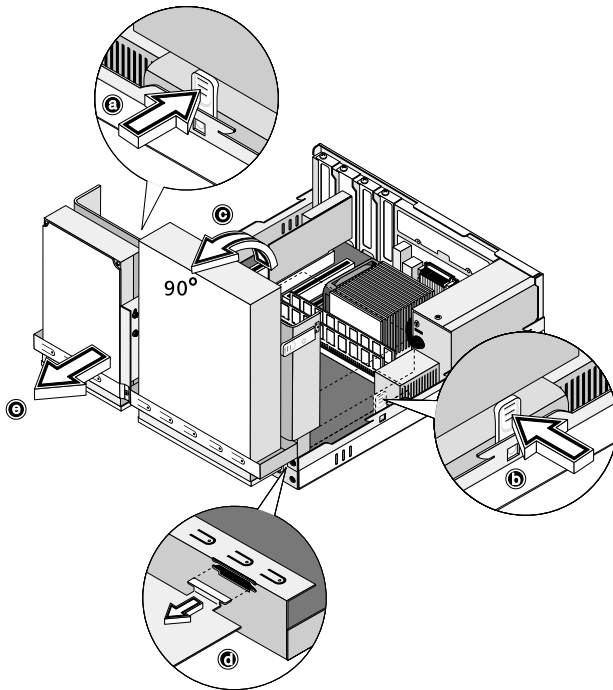
## Replacing the hard disk

Follow these steps to replace your computer's hard disk:

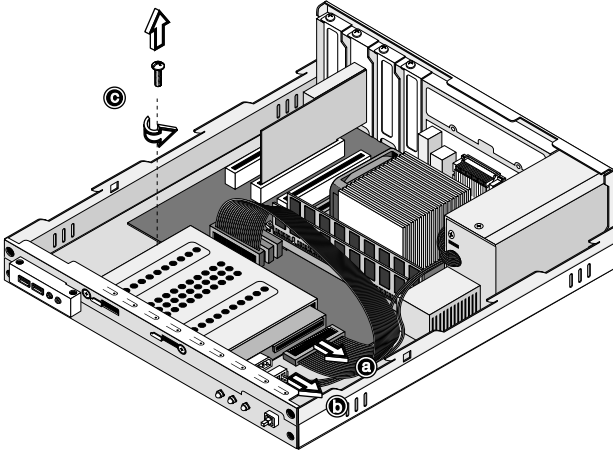
- 1 Remove the computer cover (see page 53).
- 2 Detach all cables connected to the CD or DVD drive and the 3.5-inch floppy drive.

- 3 Press the tabs (a) and (b) on both sides of the drive frame to release it from the housing.

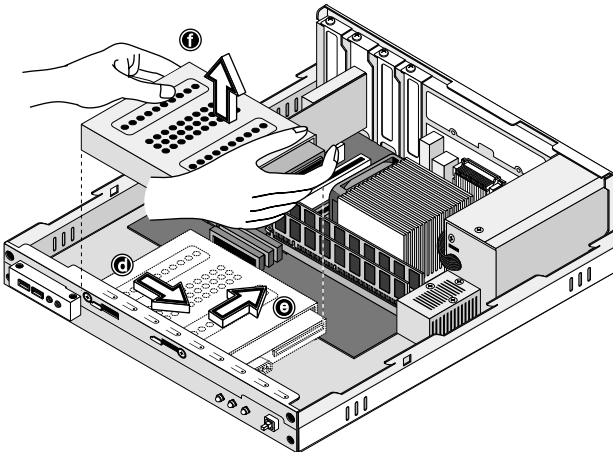
Rotate the drive frame to a 90-degree angle (c); then pull out (d), and remove the drive frame (e).



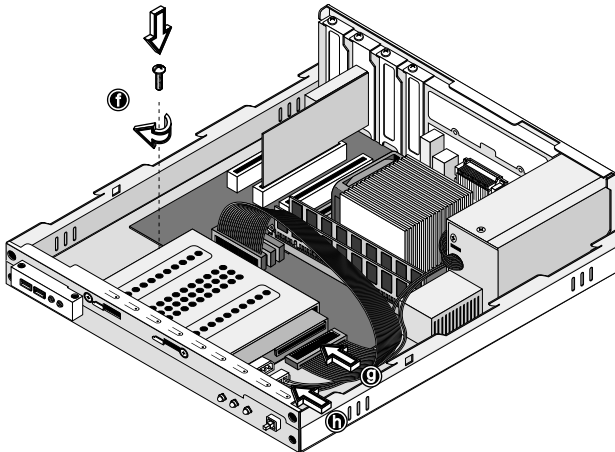
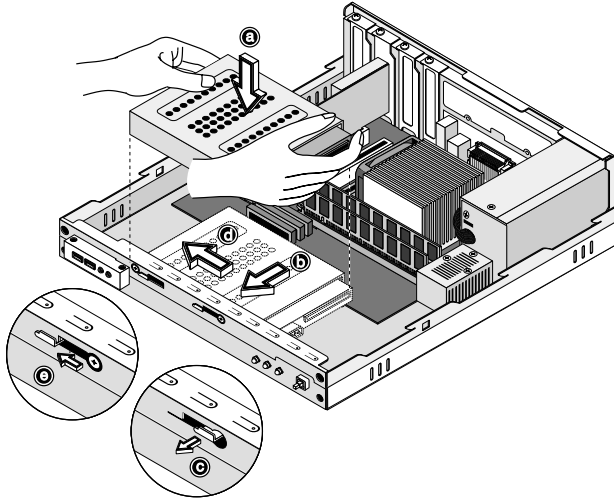
- 4 Detach hard disk cable (a) and power cable (b) from the hard disk. Then, remove the screw that holds the hard disk to the housing (c). Set the screw aside.



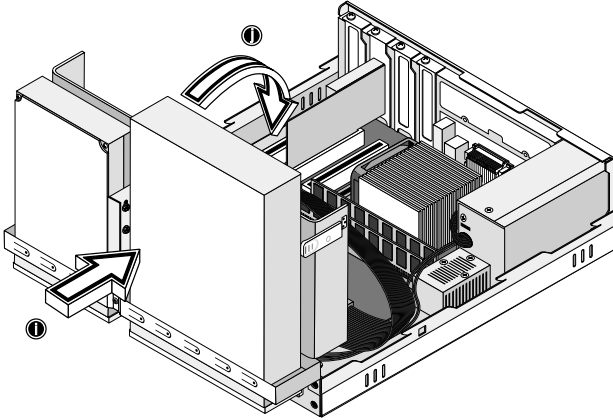
- 5 Slide the hard disk frame to the right (d); then gently move it inward (e) and pull it up to detach it (f).



- 6 Install the new hard disk into the housing (a,b,c,d,e). Secure it with the screw you removed earlier (f) and connect the power and hard disk cables to the new hard disk (g,h).



- 7 Reinstall the drive frame into the housing (i,j). Make sure the tabs on both sides snap into place.



- 8 Reattach the CD or DVD drive and the floppy drive cables.



.....

**Note:** Make sure that the other ends of the disk drive cables are securely connected to their corresponding connectors on the mainboard.

- 9 Replace the computer cover (see page 54).

## Installing an expansion card

To install an expansion card:

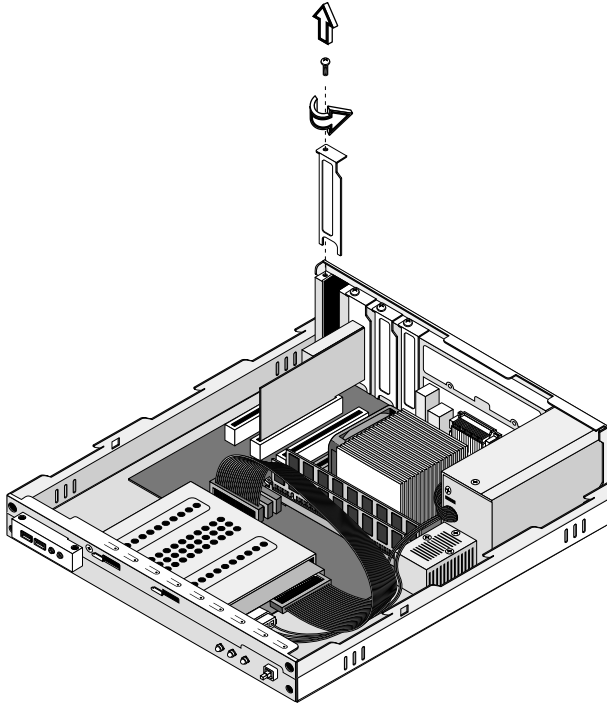


.....

**Caution:** Your system accepts low profile PCI cards only.

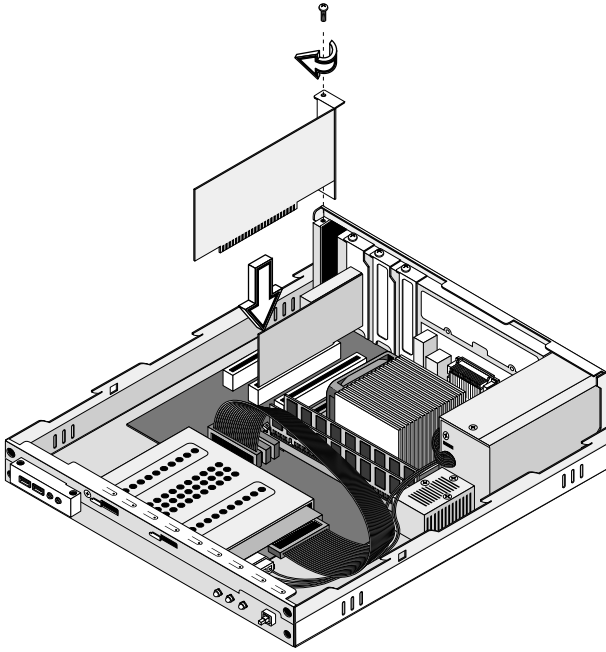
- 1 Remove the computer cover (see page 53).
- 2 Locate an empty PCI slot on the mainboard.
- 3 Remove the screw that holds the bracket to the computer. Save the screw.

- 4 Pull out the bracket on the housing opposite the selected empty slot.



- 5 Remove the expansion card from its protective packaging.
- 6 Align the card with the empty bracket and then insert it into the slot. Make sure that the card is properly seated.

- 7 Secure the card to your computer with the screw you removed earlier.



- 8 Replace the computer cover (see page 54).

When you turn on the computer, BIOS (Basic Input/Output System) automatically detects and assigns resources to the newly-installed devices.



# 5 System utilities

This chapter describes the applications that came with your computer.

Your computer comes with the following applications:

- Acrobat® Reader™
- LANDesk Client Manager (LDCM)
- Norton AntiVirus
- NTI CD-Maker
- PowerDVD
- BIOS utility

All of the applications that came with your computer are very easy to use. However, if you need more help and information, you may refer to the online help documentation provided in each software application.

# Acrobat Reader

Acrobat Reader is a software that lets you view, navigate, browse and print Adobe Portable Document Format (PDF) files on all major computer platforms. Acrobat Reader can open your document across a broad range of hardware and software, and it will look exactly as you intended - with layout, fonts, links and images intact.

To run Acrobat Reader:

- 1 On the Windows taskbar, click on the Start button, highlight Programs and select Acrobat Reader.
- 2 Select Acrobat Reader application to run the program.

For more information about Acrobat Reader, you may refer to Acrobat Reader Help menu.

## LDCM (optional)

LANDesk Client Manager (LDCM) allows desktop management via the Web, standard network, or dial-up connections. It is compatible with the leading management specifications, such as Wired for Management 2.0, Desktop Management Interface (DMI) v2.0, and others.

Your computer may be bundled with a LDCM installation CD. To install LDCM:

- 1 Insert the LDCM installation CD into the CD or DVD drive.



.....  
**Caution:** Make sure that the LDCM installation CD is properly inserted into the CD or DVD drive. Improper insertion may damage both the CD and the drive.

Refer to page 22 for instructions on how to insert a CD into your computer's CD or DVD drive.

- 2 Follow all onscreen instructions until you finish installation.

For more information on how to use the LDCM, you may refer to the LDCM Help menu.



.....  
**Note:** LDCM currently supports Windows 98, Windows Me, Windows 2000 and Windows XP.

# Norton AntiVirus

Norton AntiVirus is an anti-virus software which finds and repairs infected files, protecting against viruses to keep your computer data safe and secure. It also scans incoming email attachments for viruses. It provides useful virus detection and repair facilities.

To install Norton AntiVirus:

- 1 Double-click the Norton AntiVirus icon on your Windows desktop.
- 2 Follow all onscreen instructions until you finish installation.



.....

**Note:** After you finish installing the Norton AntiVirus software, delete the Norton AntiVirus installer icon from your Windows desktop.

For more information about Norton AntiVirus, you may refer to the Norton AntiVirus Help menu.

# NTI CD-Maker (for models with CD-RW)

The NTI CD-Maker is a CD-Recording software which allows you to create and copy audio, data and videos to CD-RW discs.

To run NTI CD-Maker:

- 1 On the Windows taskbar, click on the Start button, highlight Programs and select NTI CD-Maker.
- 2 Select NTI CD-Maker application to run the program.

For more information on how to use the NTI CD-Maker, you may refer to the NTI CD-Maker Help menu.

## PowerDVD (for models with DVD)

PowerDVD is a high-quality, pure software DVD player which brings high-quality movies and karaoke to your multimedia PC. You can play back high resolution DVD titles or MPEG-2 files with MPEG-2 video and Dolby Digital (AC-3) audio. PowerDVD provides a complete set of commands for navigation and advanced features such as multi-angle switching, multi-language and multi-subtitle selection, and parental control. It also has the i-Power Internet Enabling feature, which links to online DVD resources via the Power DVD Desktop Portal Page.

To run PowerDVD:

- 1 On the Windows taskbar, click on the Start button, highlight Programs and select PowerDVD.
- 2 Select PowerDVD application to run the program.

For more information about PowerDVD, you may refer to the PowerDVD Help menu.



## BIOS utility

The BIOS utility is a hardware configuration program built into your computer's Basic Input/Output System (BIOS). Since most computers are already properly configured and optimized, there is no need to run this utility. However, if you encounter configuration problems and get the "Run Setup" message, you will need to run this utility.



.....

**Note:** Before you run BIOS, make sure that you have saved all open files. The computer reboots immediately after you exit Setup.

To run the BIOS utility, press the **Del** key on your keyboard during computer boot up.

## Reinstalling programs

If you uninstall one of the preinstalled programs and want to reinstall it, do the following:

- 1 Make sure that the system is turned on.
- 2 Insert the System CD into the CD or DVD drive.
- 3 Select the application that you want to reinstall.
- 4 Follow all onscreen instructions until you finish the installation.

## Recovering your system

When your operating system files is lost or damaged, the recovery process will require you to restore your system's original factory default settings. Follow the steps below:

- 1 Insert the System CD into the CD or DVD drive.
- 2 Reboot the system.
- 3 Follow all onscreen instructions.
- 4 Remove the System CD and insert the Recovery CD into the CD or DVD drive.
- 5 After the operating system has been copied to your hard disk, remove the Recovery CD and insert the System CD into the CD or DVD drive.
- 6 Follow all onscreen instructions until you finish the installation.



-----  
**Caution:** Using the Recovery CD will erase all files previously saved in your computer so make sure to back up your important files before starting the recovery process.

Make sure that the Systems CD/Recovery CD is properly inserted into the CD or DVD drive. Improper insertion may damage both the CD and the drive.

## 6 Frequently asked questions

This chapter tells you what to do in case your computer is not working properly. However, if a more serious problem arises, contact your dealer or the technical support center ([www.acersupport.com](http://www.acersupport.com)) for assistance.

The following questions are possible situations that may arise during the use of your computer and each is followed by easy answers and solutions to the situation.

**Q:** I pressed the power switch but the system did not boot up.

**A:** Check the LED located beside the power switch.

If the LED is not lit, no power is being applied to the system. Do any of the following:

- Check if the voltage selector switch located on the rear panel of the computer is set to the correct voltage.
- Check if you plugged the power cable properly into an electrical outlet.
- If you are using a power strip or AVR, make sure that it is plugged in and turned on.

If the LED is lit, check the following:

- Is a nonbootable (nonsystem) diskette in the floppy drive? If yes, remove or replace it with a system diskette and press **Ctrl + Alt + Del** to restart your computer.
- The operating system files may be damaged or missing. Insert the startup disk you created during Windows setup into the floppy drive and press **Ctrl + Alt + Del** to restart your computer. This will automatically diagnose your system and make necessary fixes. However, if the diagnostic utility still reports a problem, then you may have to perform the recovery process to restore your system to its original default factory settings.



.....  
**Note:** For more information about recovering your system, refer to page 80.

**Q:** Nothing appears on the screen.

**A:** Your computer's power management function automatically blanks the screen to save power. Just press any key to turn the display back on.

If pressing a key does not work, contact your dealer or the technical support center for assistance.

**Q:** The printer does not work.

**A:** Do the following:

- Make sure that the printer is connected to a power outlet and that it is turned on.
- Make sure that the printer cable is connected securely to the system's parallel port and the corresponding port on the printer. See "Connecting your printer" on page 40 for information on how to connect the printer to your computer.
- For additional information concerning the printer, refer to the printer's documentation.

**Q:** No sound comes out from the computer.

**A:** Check the following:

- The volume may be muted. Look for the Volume icon on the taskbar. If it is crossed-out, click on the icon and deselect the **Mute** option. You can also press the volume control/mute knob on your USB keyboard to toggle from mute to sound on.
- If headphones, earphones, or external speakers are connected to the line-out jack of your computer, the internal or built-in speakers are automatically turned off.

**Q:** System cannot read diskette, hard disk, CD or DVD information.

**A:** Check the following:

- Make sure that you are using the correct type of disc or diskette. See "Disk drives" on page 21.
- Check if the diskette is formatted correctly. If not, format it again.



-----  
**Caution:** If you reformat a diskette, you will lose all data on it.

- Make sure the diskette, CD or DVD is inserted into the drive correctly.
- Check if the CD or DVD is clean and not scratched.
- Check your drive by using a good (i.e., undamaged) diskette or a good disc. If your floppy drive, CD or DVD drive can not read the information on the good diskette, CD or DVD there may be a problem with the drive. Contact your dealer or technical support center for assistance.

**Q:** System cannot write data onto the diskette, hard disk or CD-R/CD-RW.

**A:** Check the following:

- Make sure the diskette or hard disk is not write-protected. See "Disk drives" on page 21.
- Make sure that you are using the correct type of disc or diskette. See "Disk drives" on page 21.
- Check if the diskette is formatted correctly. If not, format it again.



-----  
**Caution:** If you reformat a diskette, you will lose all data on it.





# Index

## A

accessing the user's guide 6

## B

BIOS utility 79

## C

computer maintenance 4  
     cleaning 4  
     servicing 4  
 connecting options  
     multimedia devices 43  
         audio line-in device 45  
         earphones/headphones 44  
         external speakers 43  
         joystick 43  
         microphone 43  
     network 40, 42  
     printer 40  
     USB devices 46

## D

disk drives 21  
     CD-ROM/DVD-ROM/CD-RW drive  
         inserting CDs/DVDs 22  
         taking care CDs/DVDs 23  
     floppy drive 21  
         not write-protect 21  
         write-protect 21  
     hard disk 24

## F

features 9  
     connectivity 9  
     multimedia 9  
     performance 9  
 frequently asked questions 83  
     blank screen 84  
     no audio 84  
     no sound 84  
     printer not working 84  
     system cannot read disk 85  
     system cannot write to disk 85  
     system did not boot up 83  
 front panel 11

## I

internal components 55  
 internet/suspend key  
     email 19  
     suspend 19  
     web browser 19

## K

keyboard 15  
     application key 17  
     caps lock 15  
     cursor keys 15  
     function keys 15  
     internet/suspend keys 16  
     multimedia keys 16  
     num lock key 15  
     palm rest 15  
     programmable keys 16  
     scroll lock key 15  
     volume control/mute knob 16  
     Windows logo key 15

## L

lock keys  
     caps lock 16  
     num lock 16  
     scroll lock 16

## M

mainboard  
     Veriton 3300 57  
     Veriton 3300G 58  
 mouse 20  
     buttons 20  
     clicking 20  
     double-click 20  
     ratchet wheel 20  
 multimedia key  
     forward 18  
     play/pause 18  
     stop 18

## R

rear panel 13  
 recovering your system 80  
 remove computer cover 53

## S

setting up computer 27, 31

- area 27
- chair 27
- connecting peripherals
  - external monitor 36
  - power cable 37
  - USB keyboard 34
  - USB mouse 31
- keyboard 30
- monitor 30
- mouse 30
- system boards 56
  - audio board 61
  - mainboard 56, 57, 58
- system utilities
  - Acrobat Reader 74
  - LDCM 75
  - Norton AntiVirus 76
  - NTI CD-Maker 77
  - PowerDVD 78
  - reinstalling programs 80

**T**

- turning off computer 39

- software shutdown 39
- suspend mode 39
- turning on computer 38
  - power button 38

**U**

- upgrade
  - add memory 62
    - install DDR DIMM 63
    - reconfigure computer 64
    - remove DDR DIMM 62
  - computer 56, 62
  - installation precautions 51
    - ESD 51
    - post-installation 52
    - preinstallation 51
  - open computer 53
    - remove computer cover 53
    - replace top cover 54
  - replace components 56
    - memory 62