

# PCG-FXA32/FXA33/**FXA35/D**/FXA36

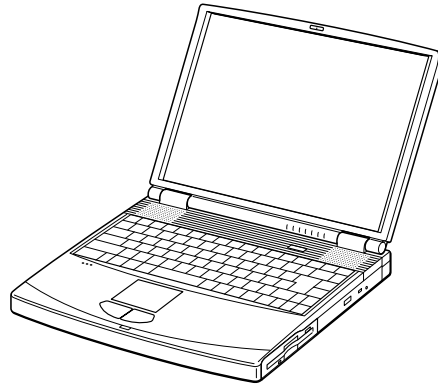
## SERVICE MANUAL

*For American Area*

*US Model  
Canadian Model*

Ver 4-2002D

Revision History



Lineup : PCG-FXA32  
PCG-FXA33  
**PCG-FXA35/D**  
PCG-FXA36

Illust : PCG-FXA36

 S400



Confidential

NOTEBOOK COMPUTER

**SONY**®

**Information in this document is subject to change without notice.**

Sony and VAIO are trademarks of Sony. Intel logo and Intel Inside logo are registered trademarks of Intel Corporation. Pentium MMX is a trademark of Intel Corporation. Microsoft, MS-DOS, Windows, the Windows 95 and Windows 98 logo are trademarks of Microsoft Corporation.

All other trademarks are trademarks or registered trademarks of their respective owners. Other trademarks and trade names may be used in this document to refer to the entities claiming the marks and names or their produces. Sony Corporation disclaims any proprietary interest in trademarks and trade names other than its own.

Caution Markings for Lithium/Ion Battery - The following or similar texts shall be provided on battery pack of equipment or in both the operating and the service instructions.

CAUTION: Danger of explosion if battery is incorrectly replaced. Replace only with the same or equivalent type recommended by the manufacturer. Discard used batteries according to the manufacturer's instructions.

CAUTION: The battery pack used in this device may present a fire or chemical burn hazard if mistreated. Do not disassemble, heat above 100°C (212°F) or incinerate.

Dispose of used battery promptly.  
Keep away from children.

CAUTION: Changing the back up battery.

- Overcharging, short circuiting, reverse charging, mutilation or incineration of the cells must be avoided to prevent one or more of the following occurrences; release of toxic materials, release of hydrogen and/or oxygen gas, rise in surface temperature.
- If a cell has leaked or vented, it should be replaced immediately while avoiding to touch it without any protection.



## Service and Inspection Precautions

### 1. Obey precautionary markings and instructions

Labels and stamps on the cabinet, chassis, and components identify areas requiring special precautions. Be sure to observe these precautions, as well as all precautions listed in the operating manual and other associated documents.

### 2. Use designated parts only

The set's components possess important safety characteristics, such as noncombustibility and the ability to tolerate large voltages. Be sure that replacement parts possess the same safety characteristics as the originals. Also remember that the  $\Delta$  mark, which appears in circuit diagrams and parts lists, denotes components that have particularly important safety functions; be extra sure to use only the designated components.

### 3. Always follow the original design when mounting parts and routing wires

The original layout includes various safety features, such as inclusion of insulating materials (tubes and tape) and the mounting of parts above the printer board. In addition, internal wiring has been routed and clamped so as to keep it away from hot or high-voltage parts. When mounting parts or routing wires, therefore, be sure to duplicate the original layout.

### 4. Inspect after completing service

After servicing, inspect to make sure that all screws, components, and wiring have been returned to their original condition. Also check the area around the repair location to ensure that repair work has caused no damage, and confirm safety.

### 5. When replacing chip components...

Never reuse components. Also remember that the negative side of tantalum capacitors is easily damaged by heat.

### 6. When handling flexible print boards...

- The temperature of the soldering-iron tip should be about 270C.
- Do not apply the tip more than three times to the same pattern.
- Handle patterns with care; never apply force.

Caution: Remember that hard disk drives are easily damaged by vibration. Always handle with care.

### ATTENTION AU COMPOSANT AYANT RAPPORT À LA SÉCURITÉ!

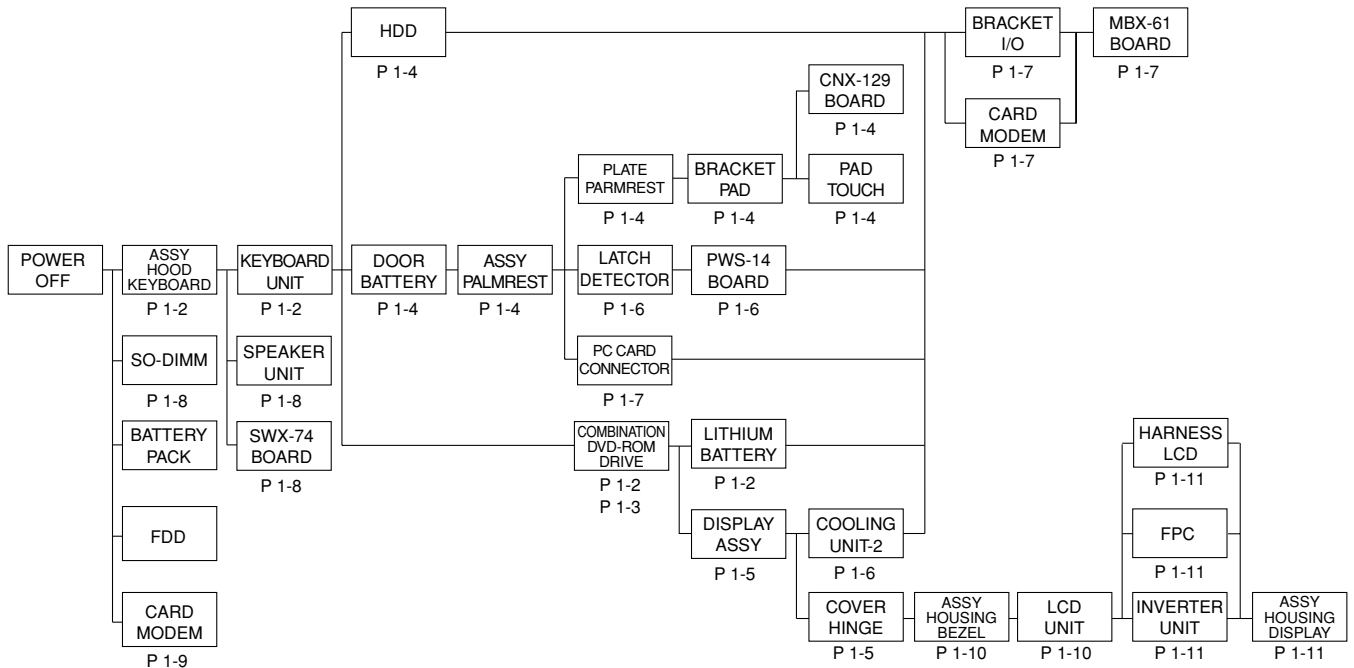
LES COMPOSANTS IDENTIFÉS PAR UNE MARQUE  $\Delta$  SUR LES DIAGRAMMES SCHÉMATIQUES ET LA LISTE DES PIÈCES SONT CRITIQUES POUR LA SÉCURITÉ DE FONCTIONNEMENT. NE REMPLACER CES COMPOSANTS QUE PAR DES PIÈSES SONY DONT LES NUMÉROS SONT DONNÉS DANS CE MANUEL OU DANS LES SUPPLÉMENTS PUBLIÉS PAR SONY.

## TABLE OF CONTENTS

<u>Section</u>	<u>Title</u>	<u>Page</u>	<u>Section</u>	<u>Title</u>	<u>Page</u>
<b>CHAPTER 1. REMOVAL</b>			<b>CHAPTER 2. SELF DIAGNOSTICS</b> ..... 2-1 (to 2-1)		
1-1.	Flowchart .....	1-1	<b>CHAPTER 3. BLOCK DIAGRAM</b> ..... 3-1 (to 3-2)		
1-2.	Main Electrical Parts Location Diagram .....	1-1	<b>CHAPTER 4. FRAME HARNESS DIAGRAM</b> ..... 4-1 (to 4-2)		
1-3.	Removal .....	1-2	<b>CHAPTER 5. EXPLODED VIEWS AND PARTS LIST</b> ..... 5-1		
1.	Assy Hood Keyboard, Keyboard Unit .....	1-2	5-1.	Main Section .....	5-2
2.	Lithium Battery, Combination Drive, DVD-ROM Drive .....	1-2	5-1-A	FDD Section .....	5-4(a)
3.	Combination Drive, DVD-ROM Drive .....	1-3	5-2.	LCD Section (FXA32/FXA33/FXA36 Model) – Made by HI – .....	5-5
1.	FXA33/FXA35/D/FXA36 Model .....	1-3	5-2-A.	LCD Section (FXA35/D Model) – Made by HI – ..	5-6 (a)
2.	FXA32 Model .....	1-3	5-3.	Connector Section .....	5-7 (to 5-8)
4.	HDD, Door Battery .....	1-4			
5.	Assy Palmrest, Pad Touch, CNX-129 Board, Plate Palmrest, Bracket Pad .....	1-4			
6.	Display Assy, Cover Hinge .....	1-5			
7.	Cooling Unit-2 .....	1-6			
8.	PWS-14 Board, Latch Detector .....	1-6			
9.	PC Card Connector, Card Modem, MBX-61 Board, Bracket I/O .....	1-7			
10.	Speaker Unit, SWX-74 Board .....	1-8			
11.	SO-DIMM .....	1-8			
12.	Card Modem (Removing from the bottom) .....	1-9			
13.	LCD Section – Made by HI – .....	1-10			
1.	Assy Housing Bezel, LCD unit (15 inch) .....	1-10			
2.	Inverter Unit, Harness LCD, FPC, Assy Housing Display .....	1-11			
1-4.	Replacing the CPU .....	1-12			
1.	Removing the CPU .....	1-12			
2.	Installing the CPU .....	1-12			
1-5.	Replacing Various Connectors on the MBX-61 Board ..	1-13			
1.	Removing the Bracket I/O .....	1-13			
2.	Removing the Various Connectors .....	1-13			
1-6.	DIP Switch Setting of the MBX-61 Board .....	1-14 (to 1-14)			

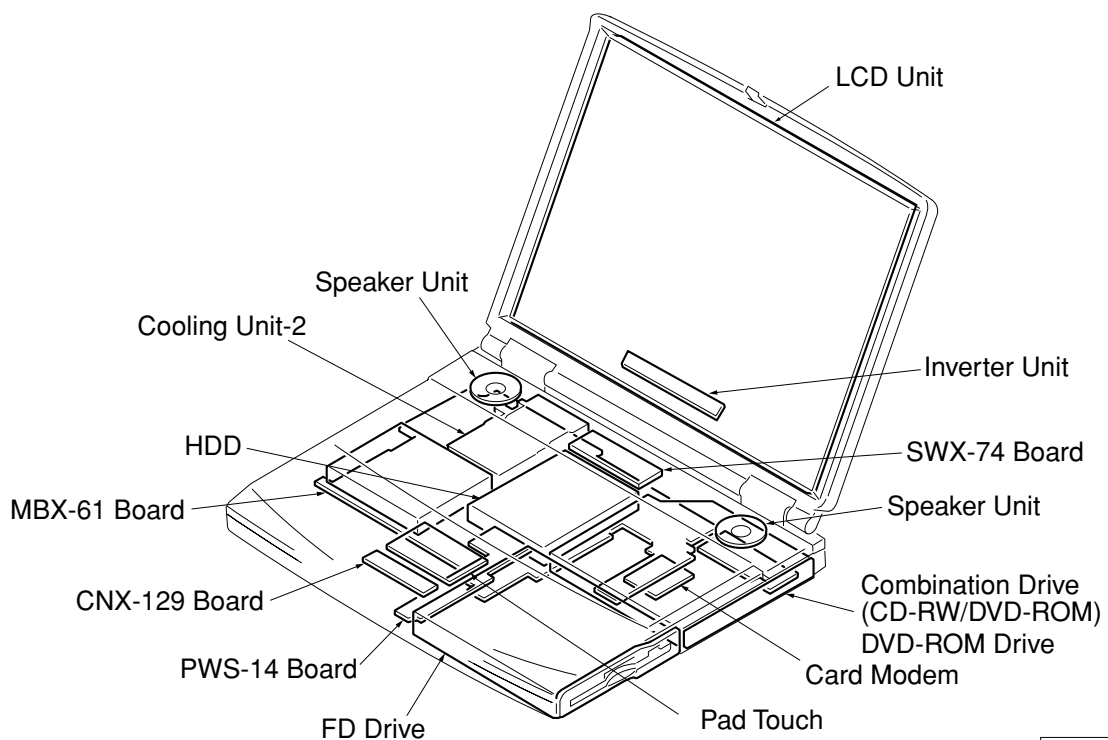
History of the changes is shown as the “Revision History” at the end of this data.

### 1-1. Flowchart



- P XX means pages that appears in this manual.
- Remember that hard disk drives are easily damaged by vibration. Always handle with care.

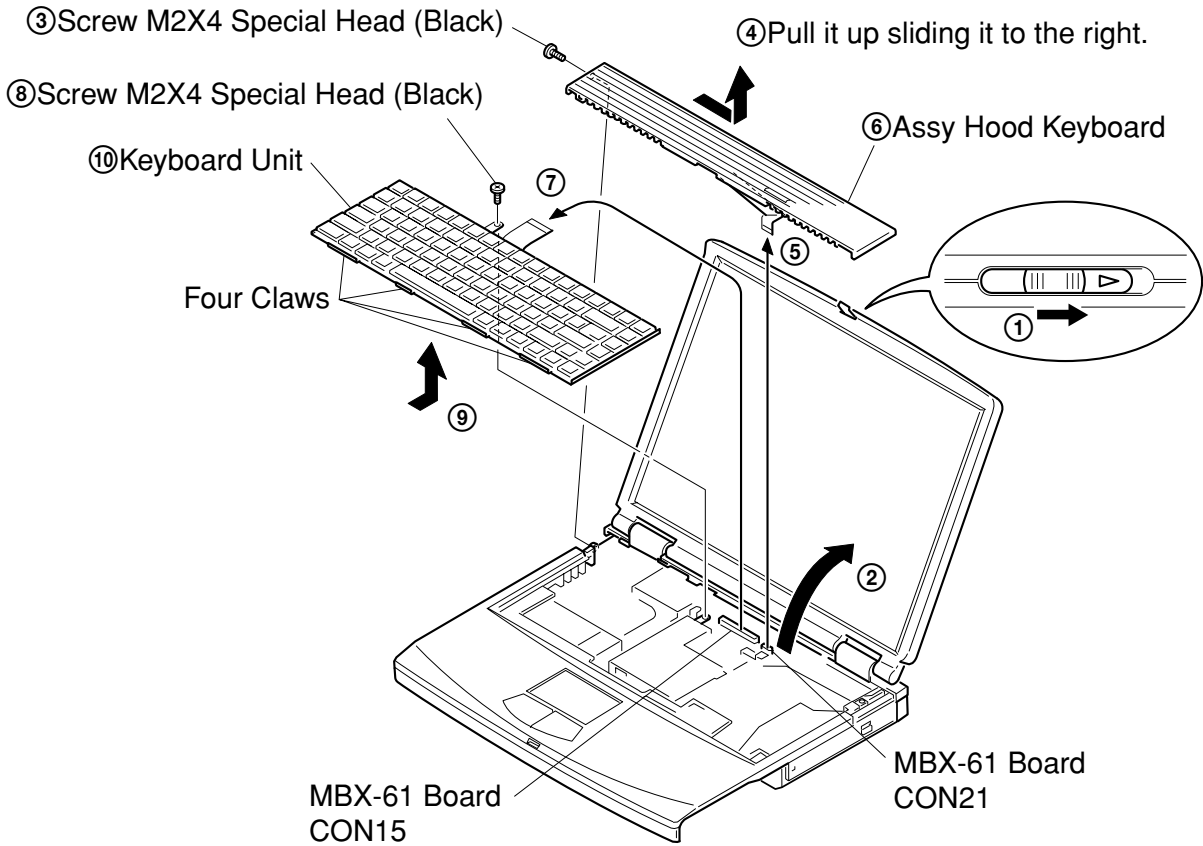
### 1-2. Main Electrical Parts Location Diagram



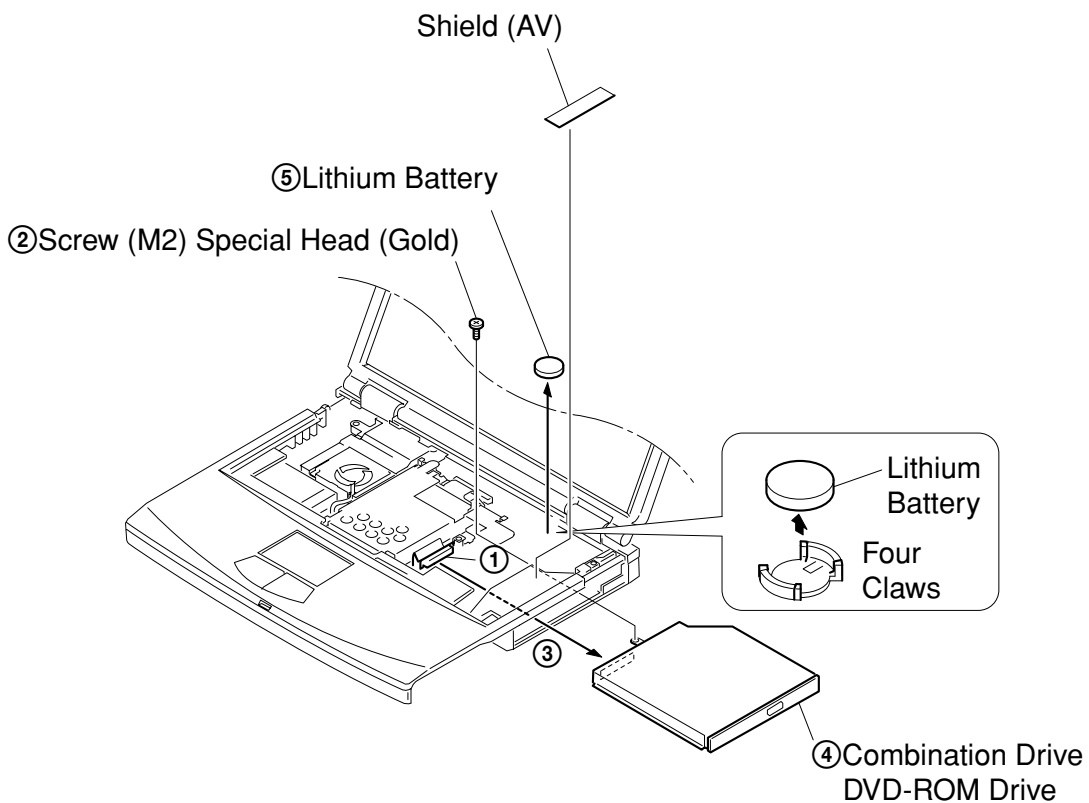
**Confidential**

# 1-3. Removal

## 1. Assy Hood Keyboard, Keyboard Unit



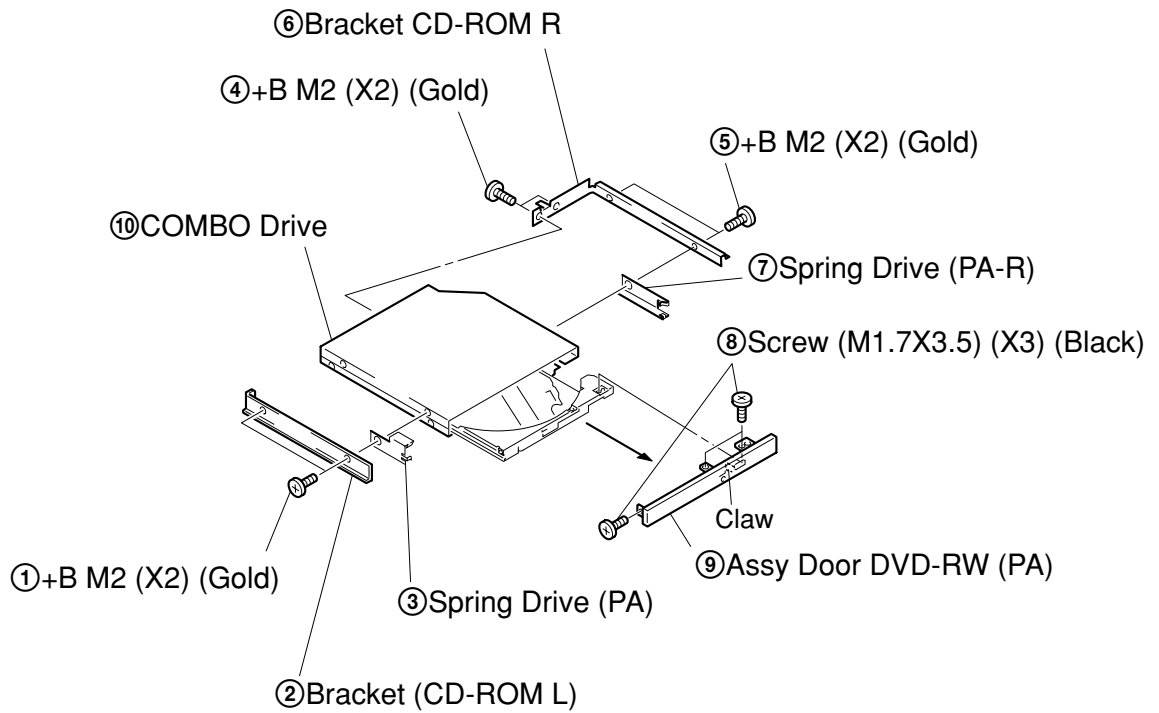
## 2. Lithium Battery, Combination Drive, DVD-ROM Drive



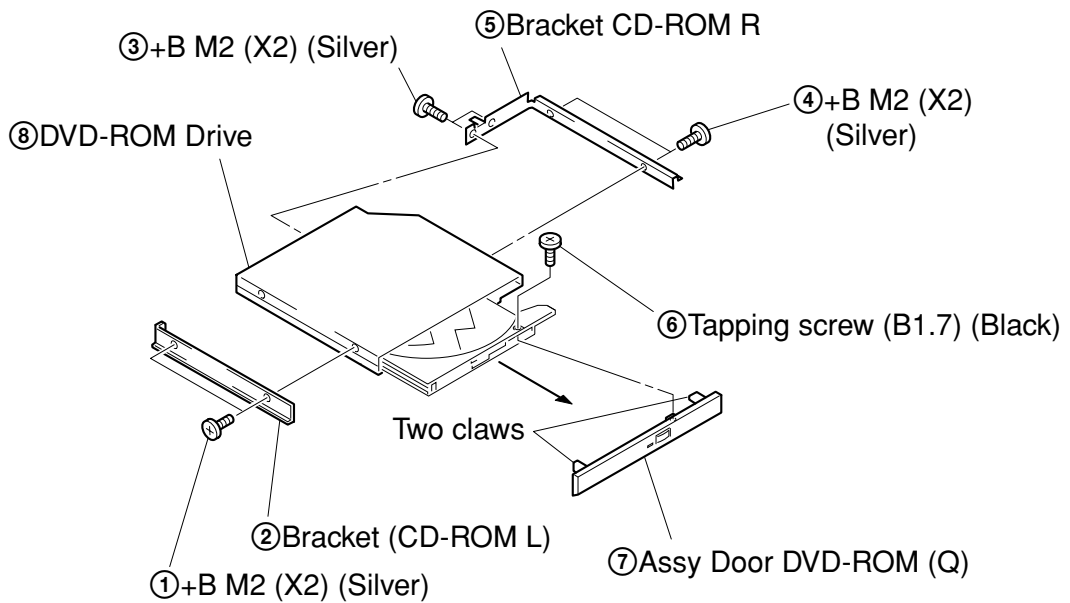
**Confidential**

### 3. Combination Drive, DVD-ROM Drive

#### 1. FXA33/FXA35/D/FXA36 Model

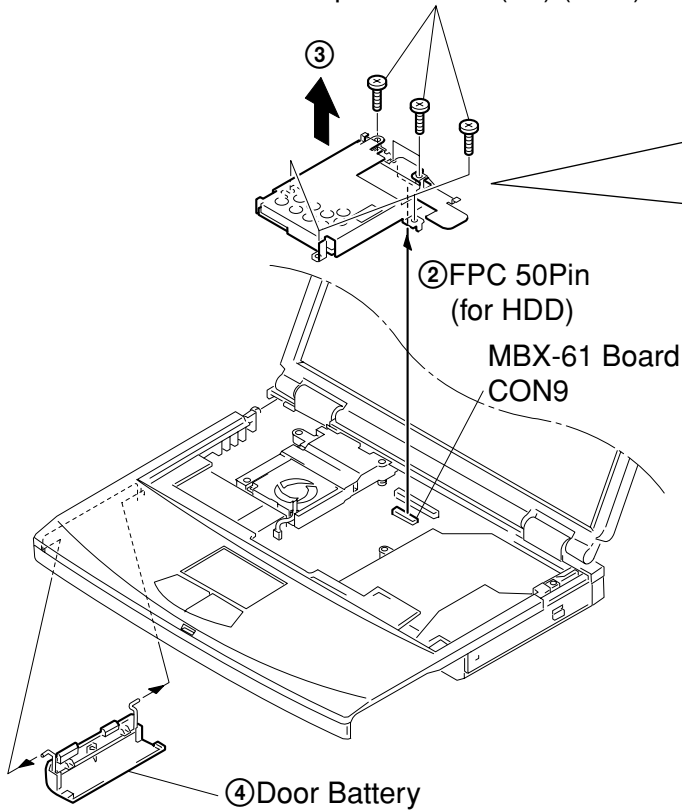


#### 2. FXA32 Model

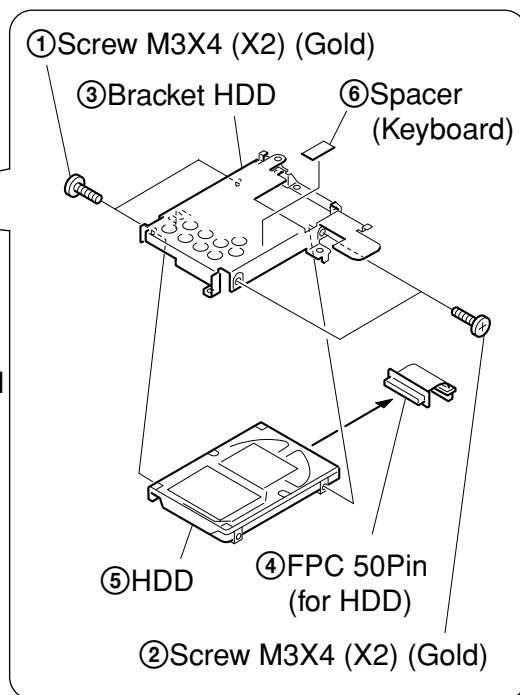


#### 4. HDD, Door Battery

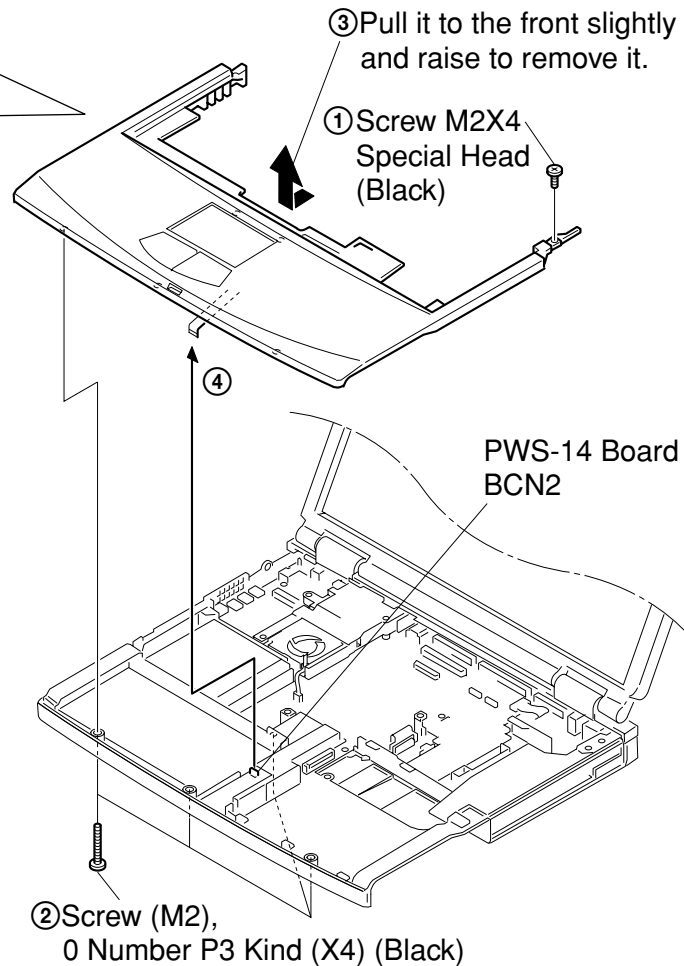
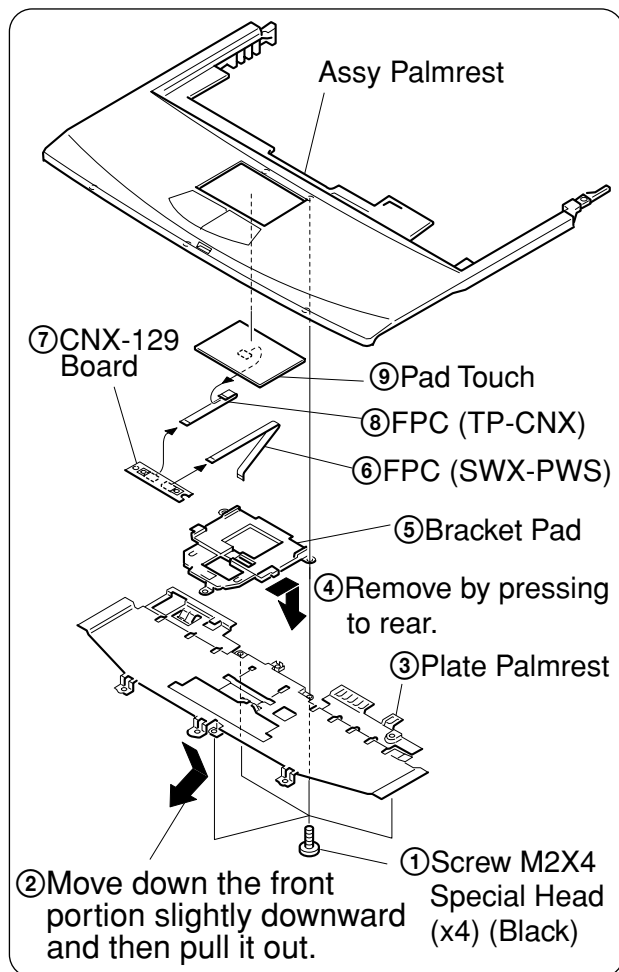
① Screw M2X6 Special Head (X6) (Gold)



① Screw M3X4 (X2) (Gold)

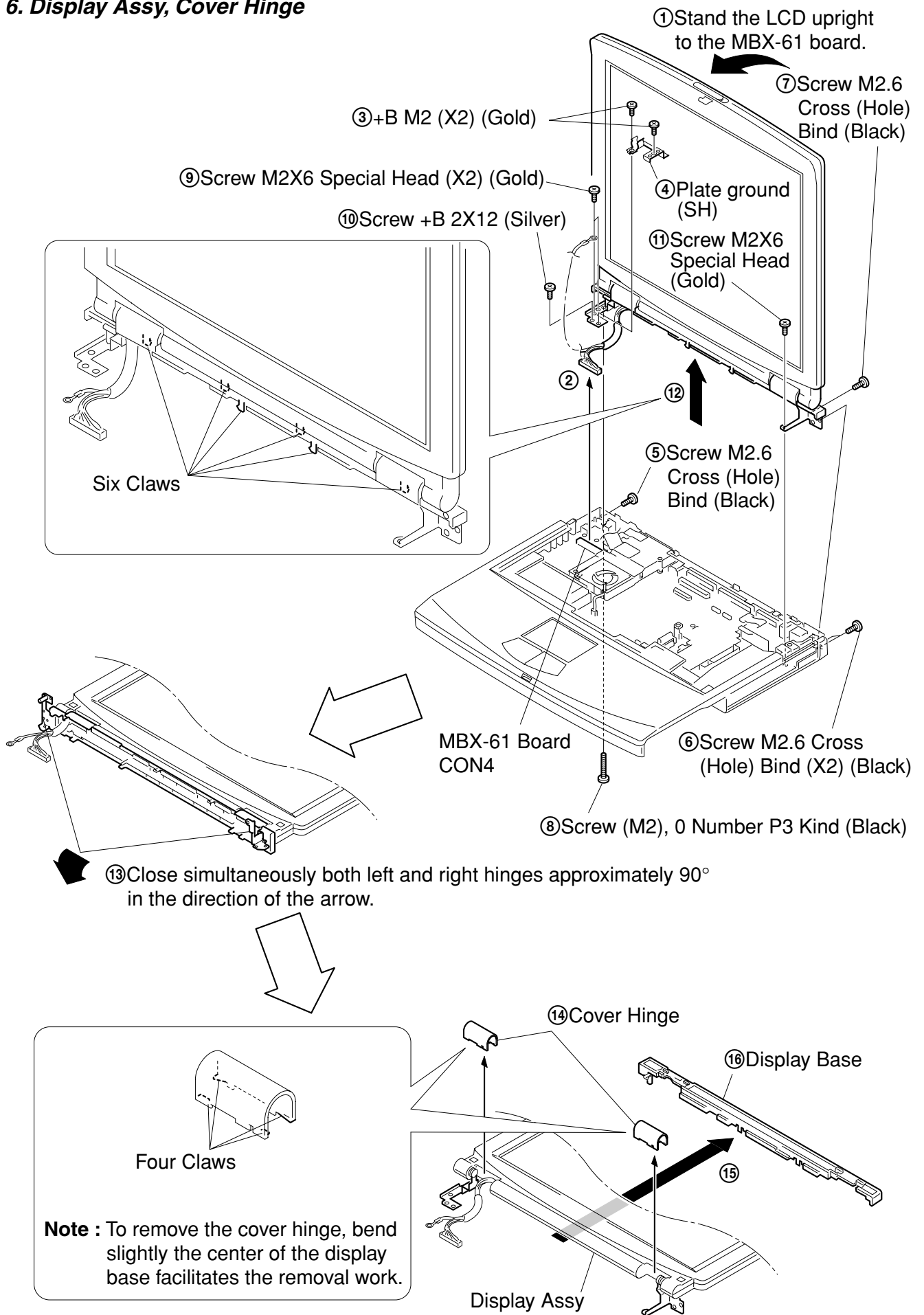


#### 5. Assy Palmrest, Pad Touch, CNX-129 Board, Plate Palmrest, Bracket Pad



**Confidential**

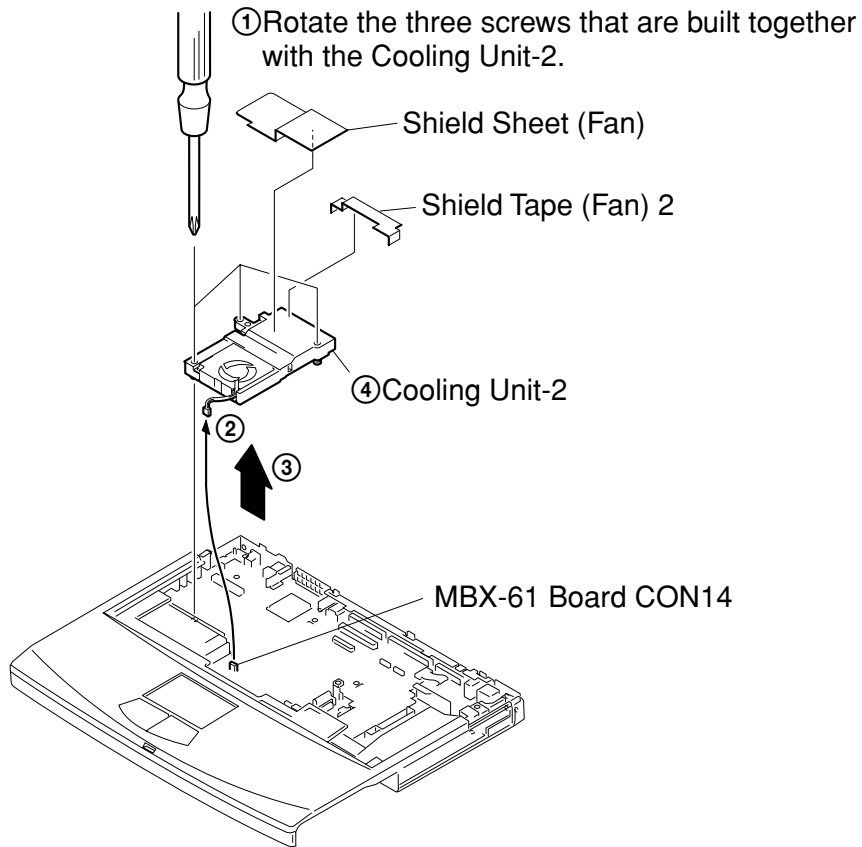
## 6. Display Assy, Cover Hinge



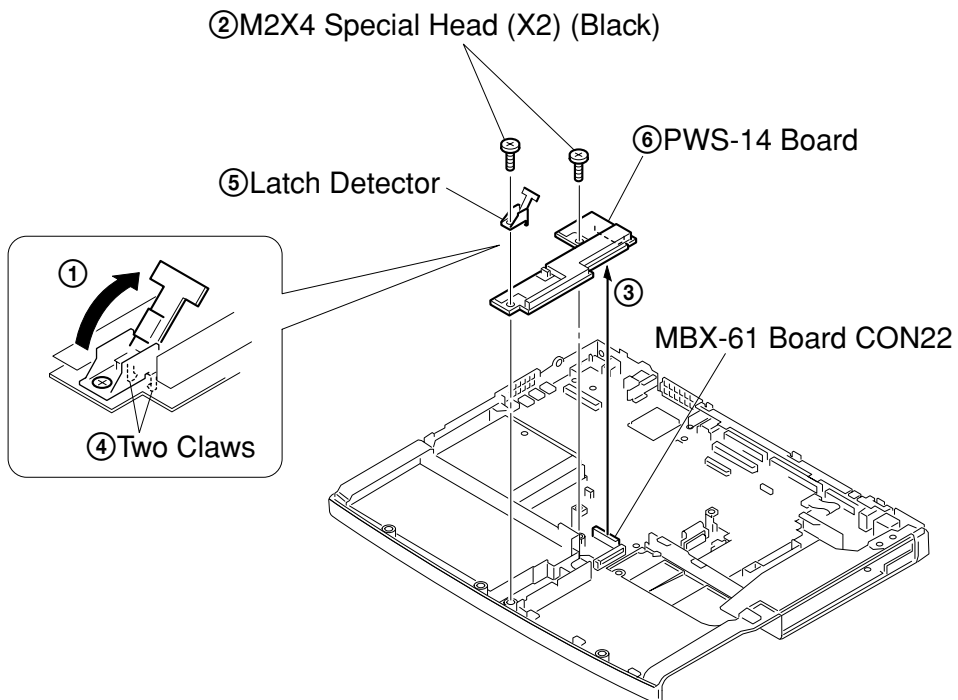
**Confidential**



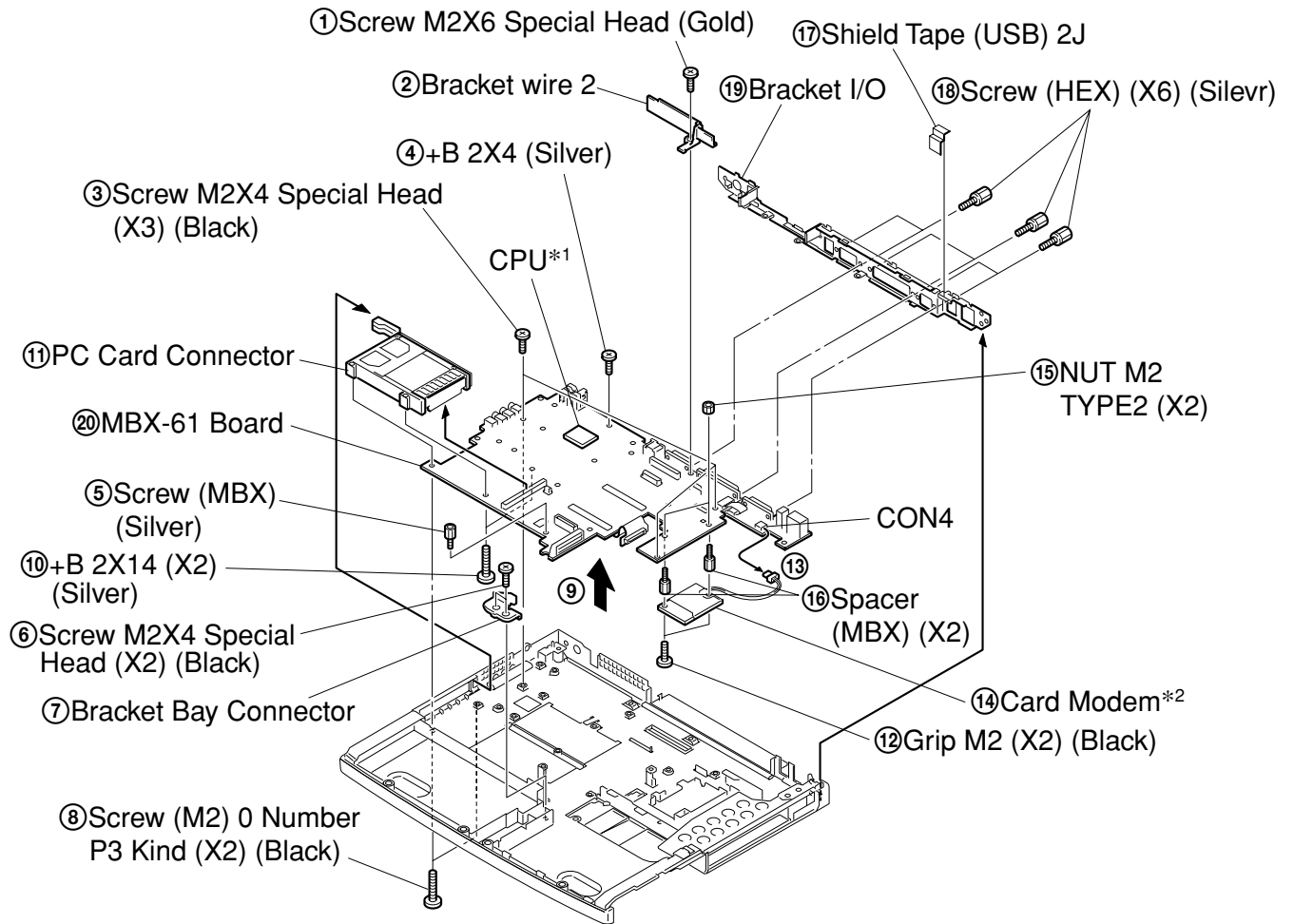
## 7. Cooling Unit-2



## 8. PWS-14 Board, Latch Detector



## 9. PC Card Connector, Card Modem, MBX-61 Board, Bracket I/O



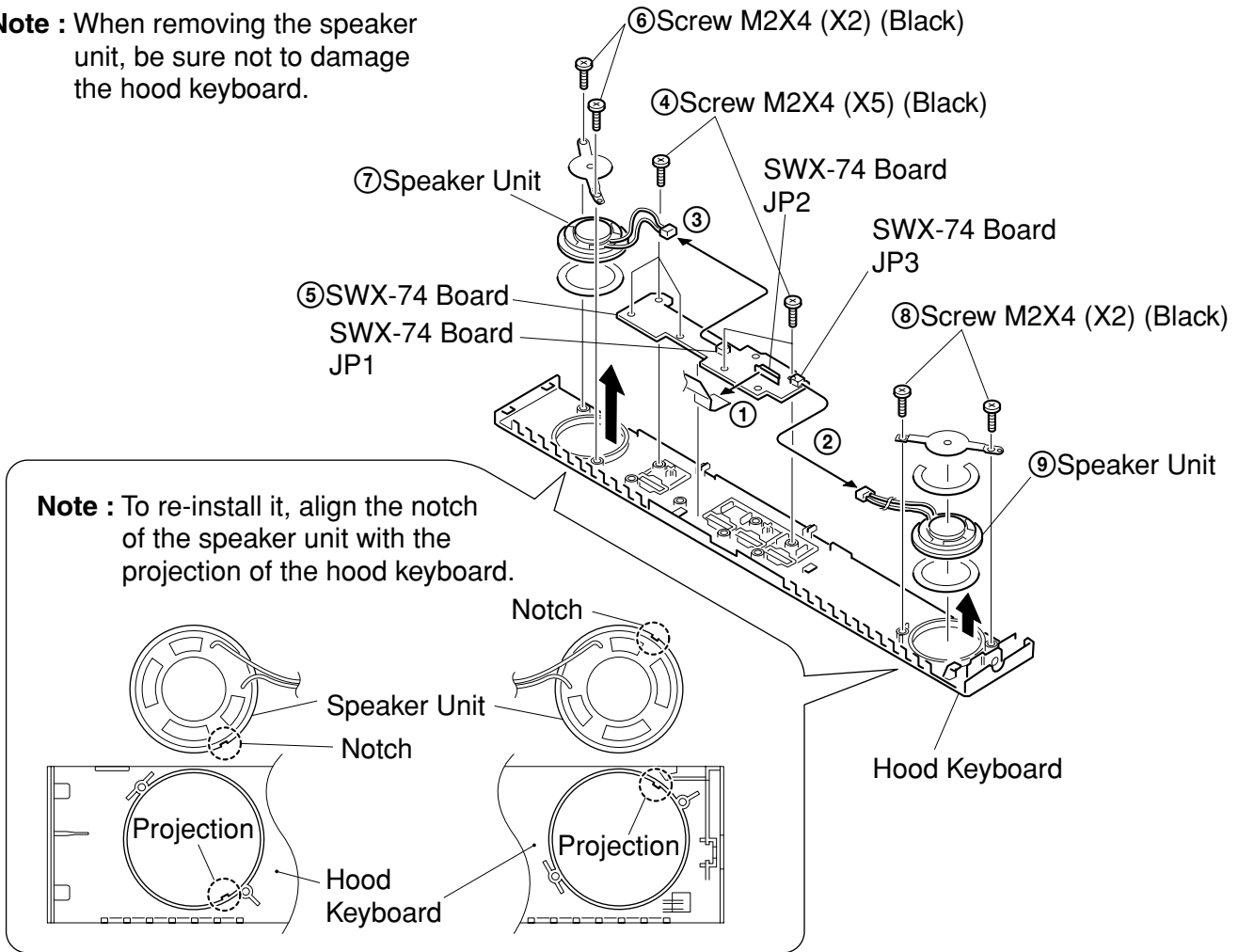
\*1 When removing the CPU, refer to “ 1-4. Replacing the CPU ”.

\*2 Card Modem can be removed from the bottom.

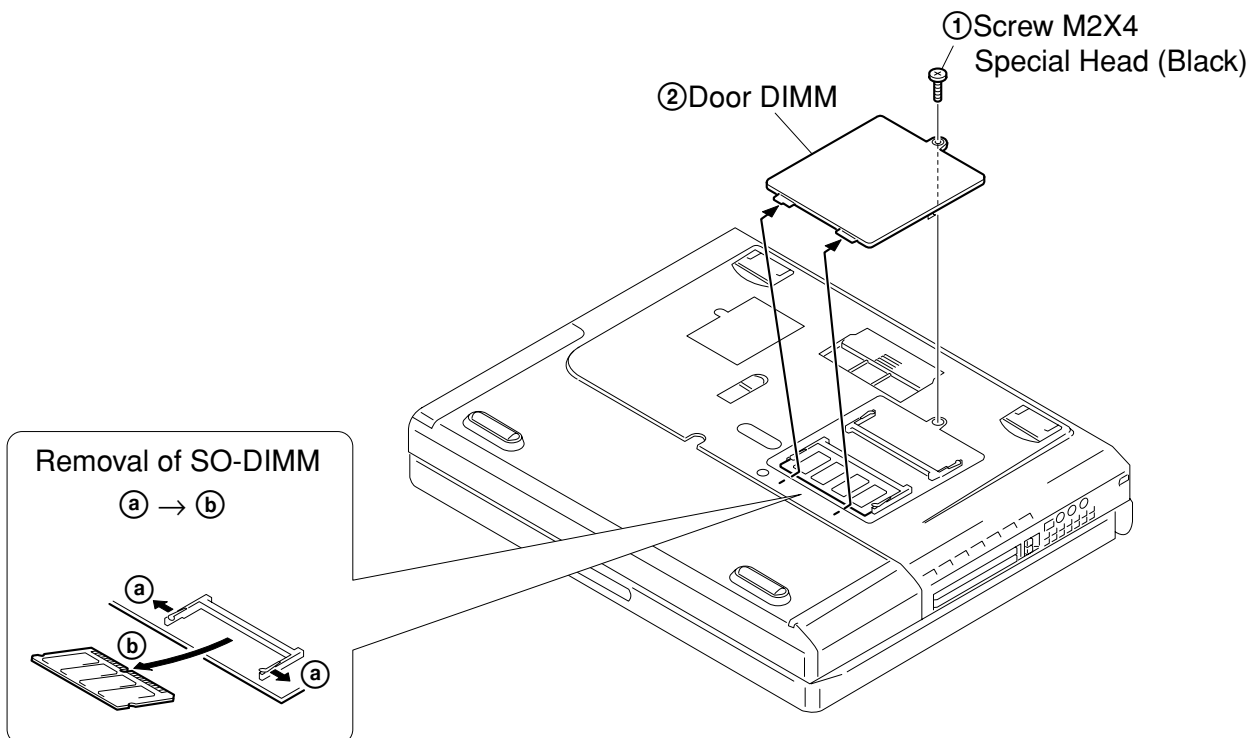
Refer to the subsequent paragraph “ 10. Card Modem ” for more details.

## 10. Speaker Unit, SWX-74 Board

**Note :** When removing the speaker unit, be sure not to damage the hood keyboard.

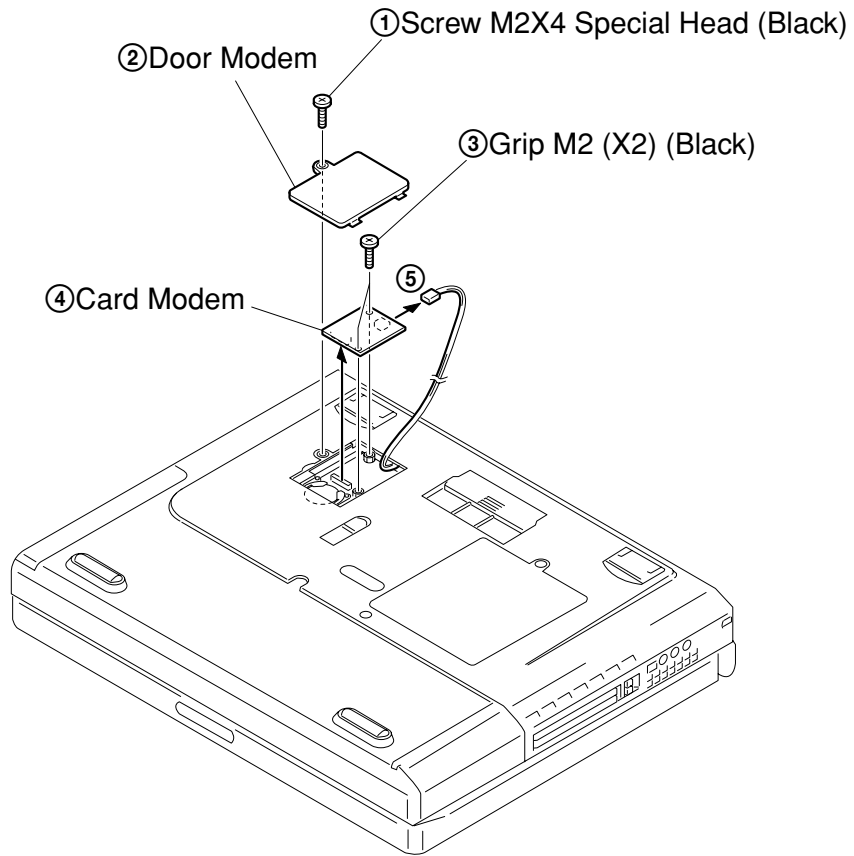


## 11. SO-DIMM



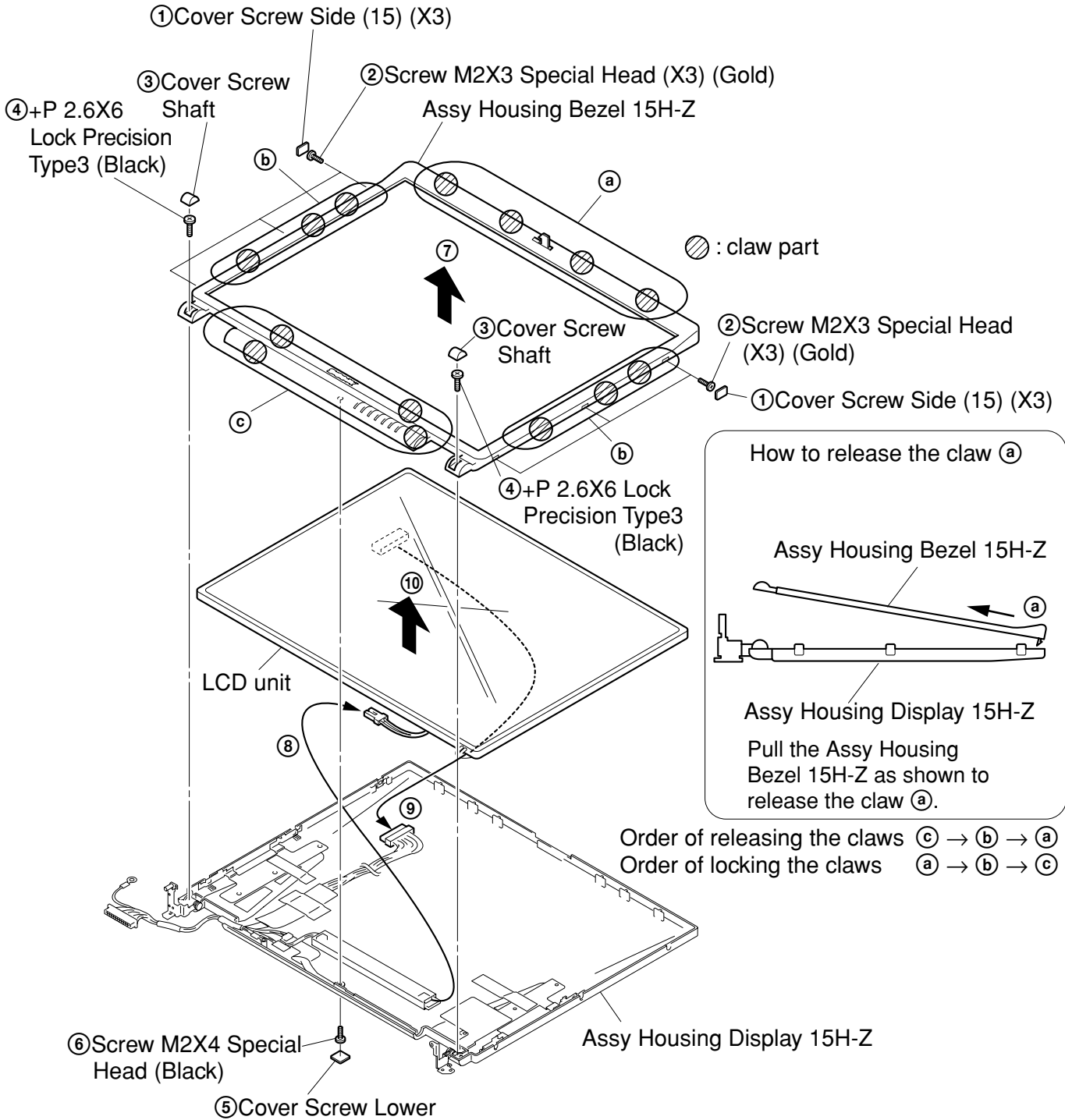
**Confidential**

## 12. Card Modem (Removing from the bottom)

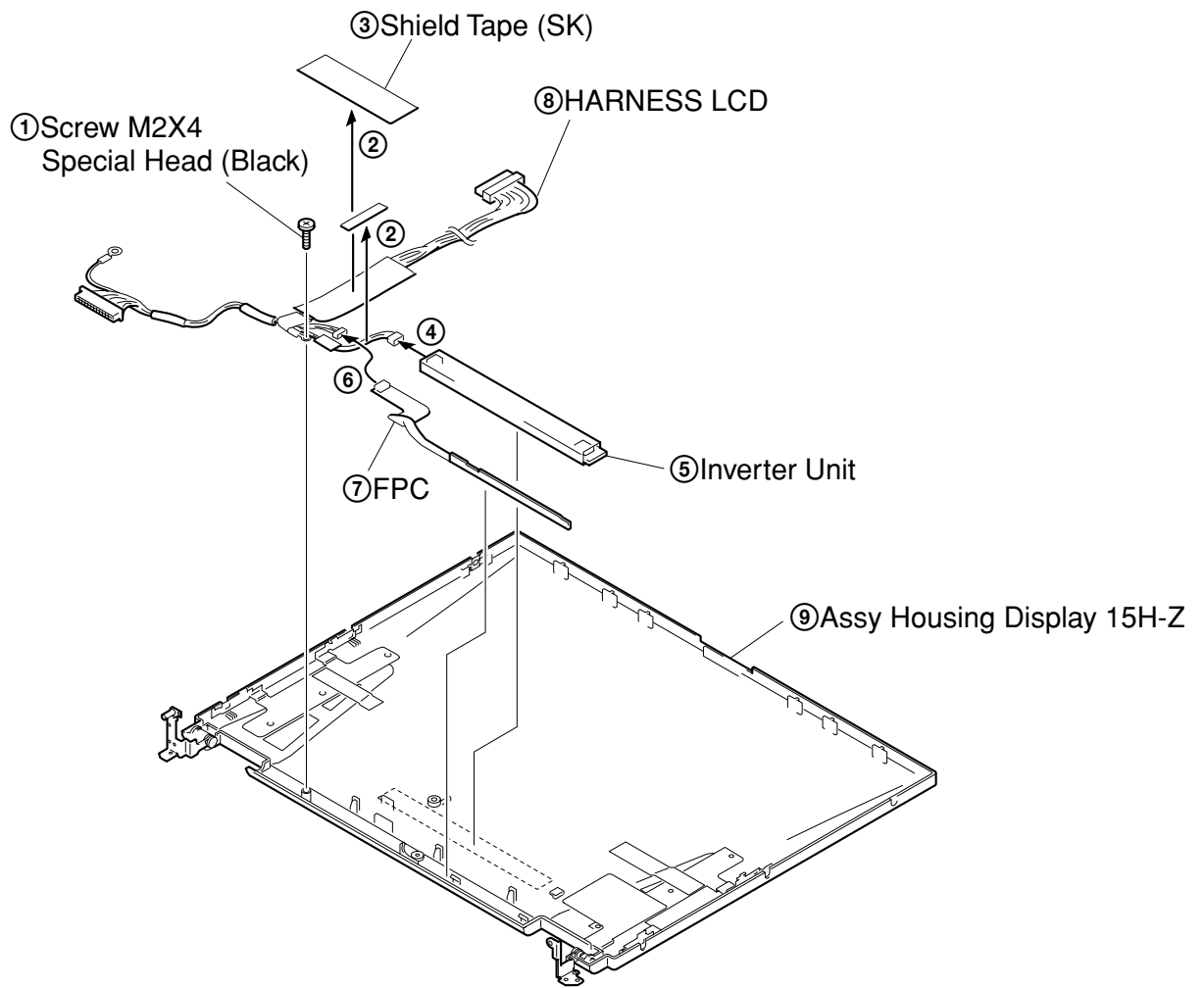


### 13. LCD Section – Made by HI –

#### 1. Assy Housing Bezel, LCD unit (15 inch)

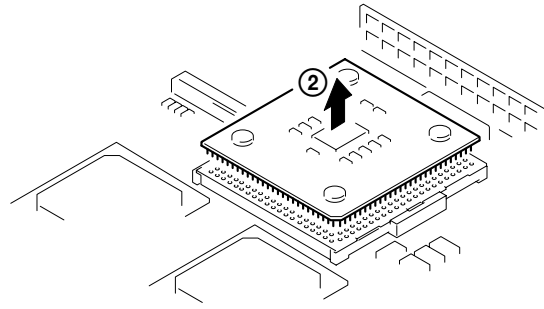
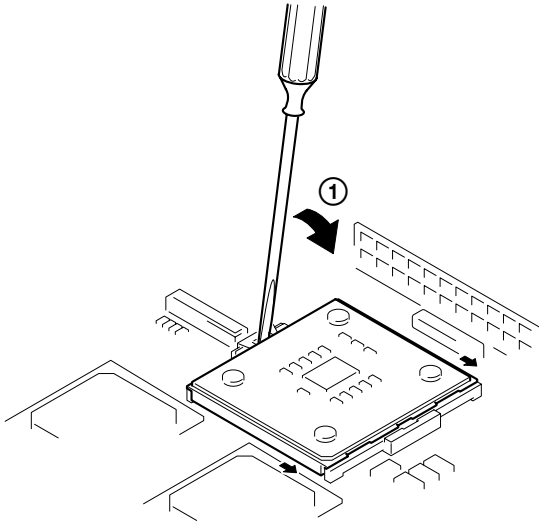


## 2. Inverter Unit, Harness LCD, FPC, Assy Housing Display



# 1-4.Replacing the CPU

## 1. Removing the CPU



- ① Insert a screwdriver tip into the groove as shown and slant it in the direction of the arrow.

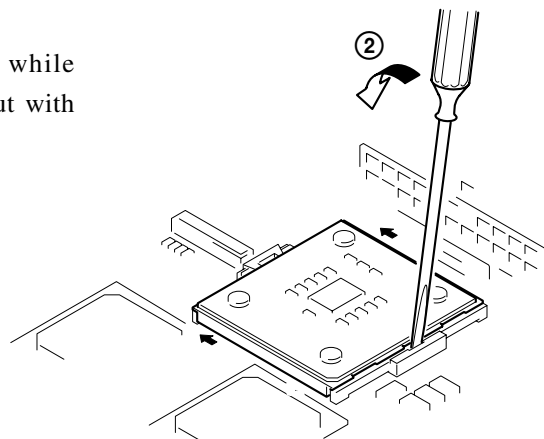
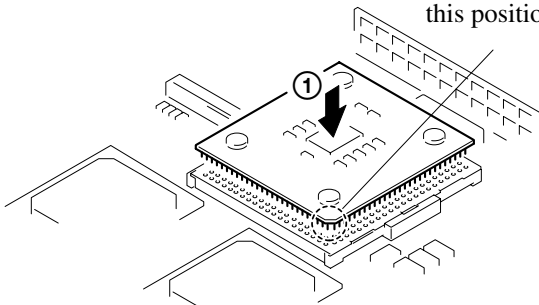
- ② The CPU can be removed upward.

**NOTE:** Do not use screwdrivers having a large tip than the width of the groove.  
Otherwise, it may cause the groove to be damaged.

The base under the CPU moves slightly in the direction of the arrow and the lock is released.

## 2. Installing the CPU

Attach the CPU while aligning the cut-out with this position.



- ① Insert all pins of the replacement CPU into the holes of the base and push the CPU in the direction of the arrow.

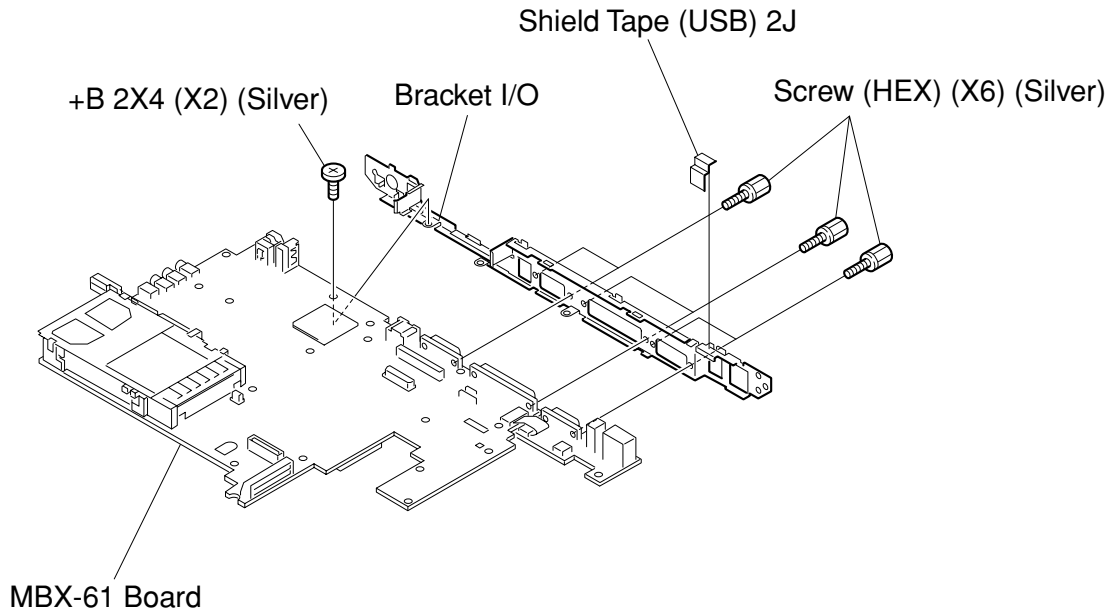
- ② Insert a screwdriver tip into the groove as shown and slant it in the direction of the arrow. The base under the CPU moves slightly in the direction of the arrow and the CPU is locked.

## 1-5. Replacing Various Connectors on the MBX-61 Board

Replace the connectors of “5-3. Connector Section” as follows.

### 1. Removing the Bracket I/O

When removing the connectors of reference numbers 901, 902 and 903 (refer to page 5-7), remove the bracket I/O first.



### 2. Removing the Various Connectors

The connectors of reference numbers 901, 902 and 903 (Refer to page 5-7, 5-8) are connected by soldering, remove the soldering first then remove the connectors.



## 1-6. DIP Switch Setting of the MBX-61 Board

Set the DIP switch on the MBX-61 board (main board) to match with the LCD that is used in this computer.

Part No. of LCD	DIP switch setting										
1-476-186-12	<div data-bbox="502 501 699 647" style="text-align: center;"> </div> <p data-bbox="379 667 831 741">The upper position where ON indication is shown is the ON position . The lower position is the OFF position.</p> <table border="1" data-bbox="488 763 754 837"> <thead> <tr> <th>No.</th> <th>1</th> <th>2</th> <th>3</th> <th>4</th> </tr> </thead> <tbody> <tr> <td>ON/OFF</td> <td>0</td> <td>1</td> <td>0</td> <td>0</td> </tr> </tbody> </table> <p data-bbox="576 846 746 871">0 : ON 1: OFF</p>	No.	1	2	3	4	ON/OFF	0	1	0	0
No.	1	2	3	4							
ON/OFF	0	1	0	0							
A-8025-245-A	<div data-bbox="502 947 699 1093" style="text-align: center;"> </div> <p data-bbox="379 1104 831 1178">The upper position where ON indication is shown is the ON position . The lower position is the OFF position.</p> <table border="1" data-bbox="488 1211 754 1285"> <thead> <tr> <th>No.</th> <th>1</th> <th>2</th> <th>3</th> <th>4</th> </tr> </thead> <tbody> <tr> <td>ON/OFF</td> <td>1</td> <td>0</td> <td>1</td> <td>0</td> </tr> </tbody> </table> <p data-bbox="576 1294 746 1319">0 : ON 1: OFF</p>	No.	1	2	3	4	ON/OFF	1	0	1	0
No.	1	2	3	4							
ON/OFF	1	0	1	0							

## **CHAPTER 2.**

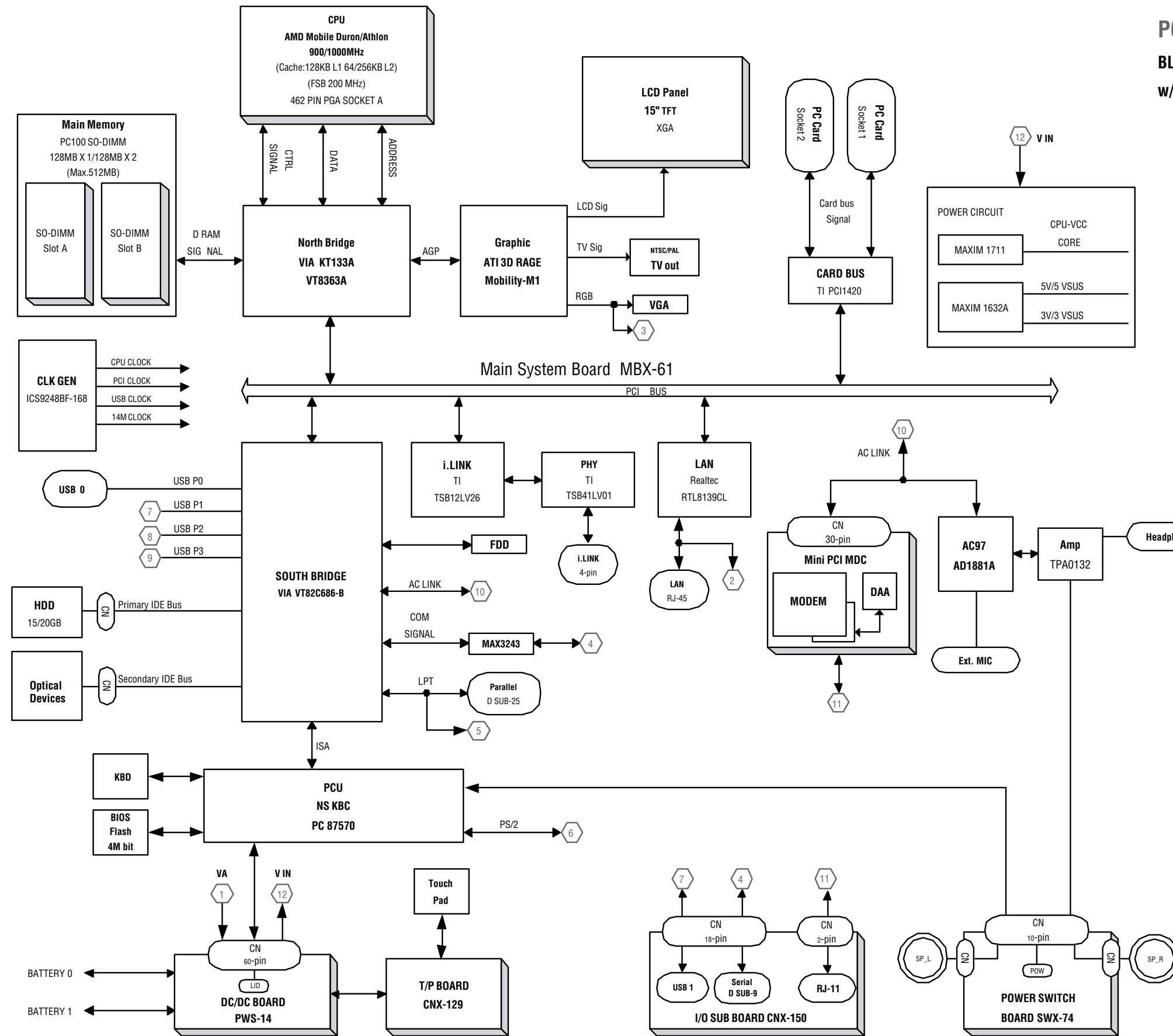
# **SELF DIAGNOSTICS**

---

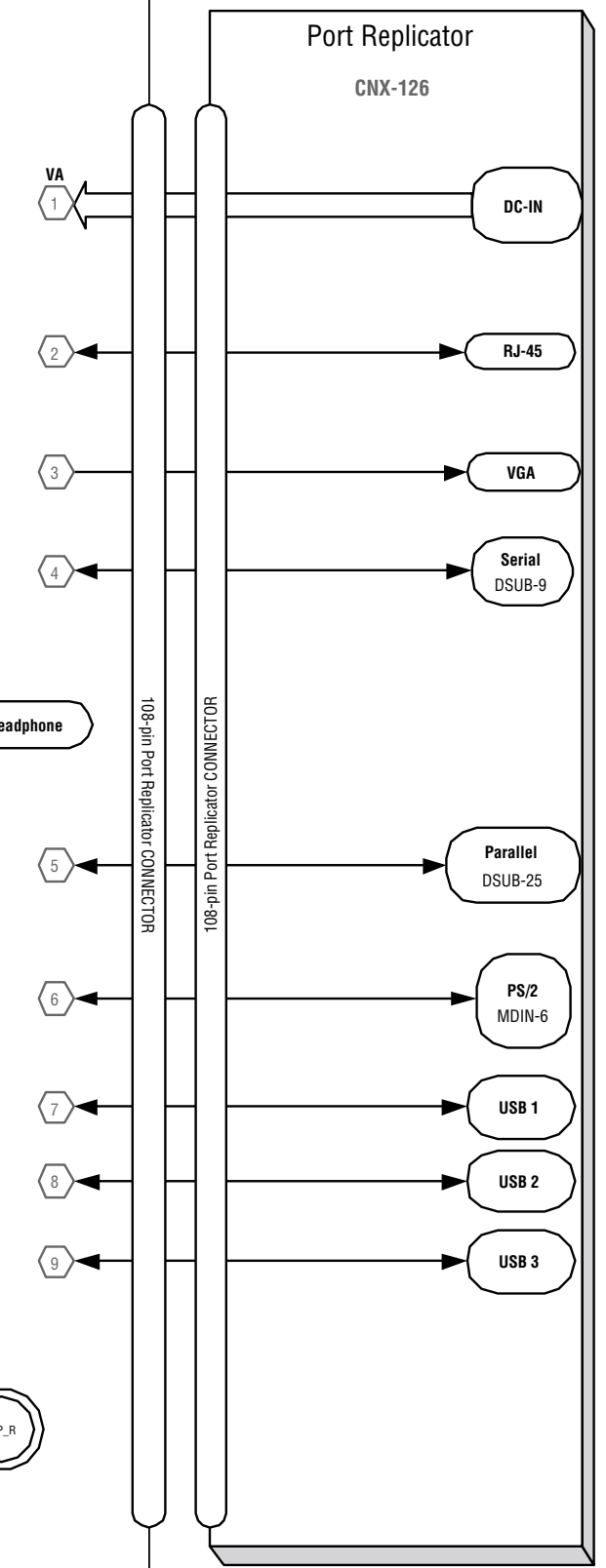
### **ATTENTION**

Please confirm “Self Diagnostics” method which will be informed you with distribution of “Self Diagnostics” software.

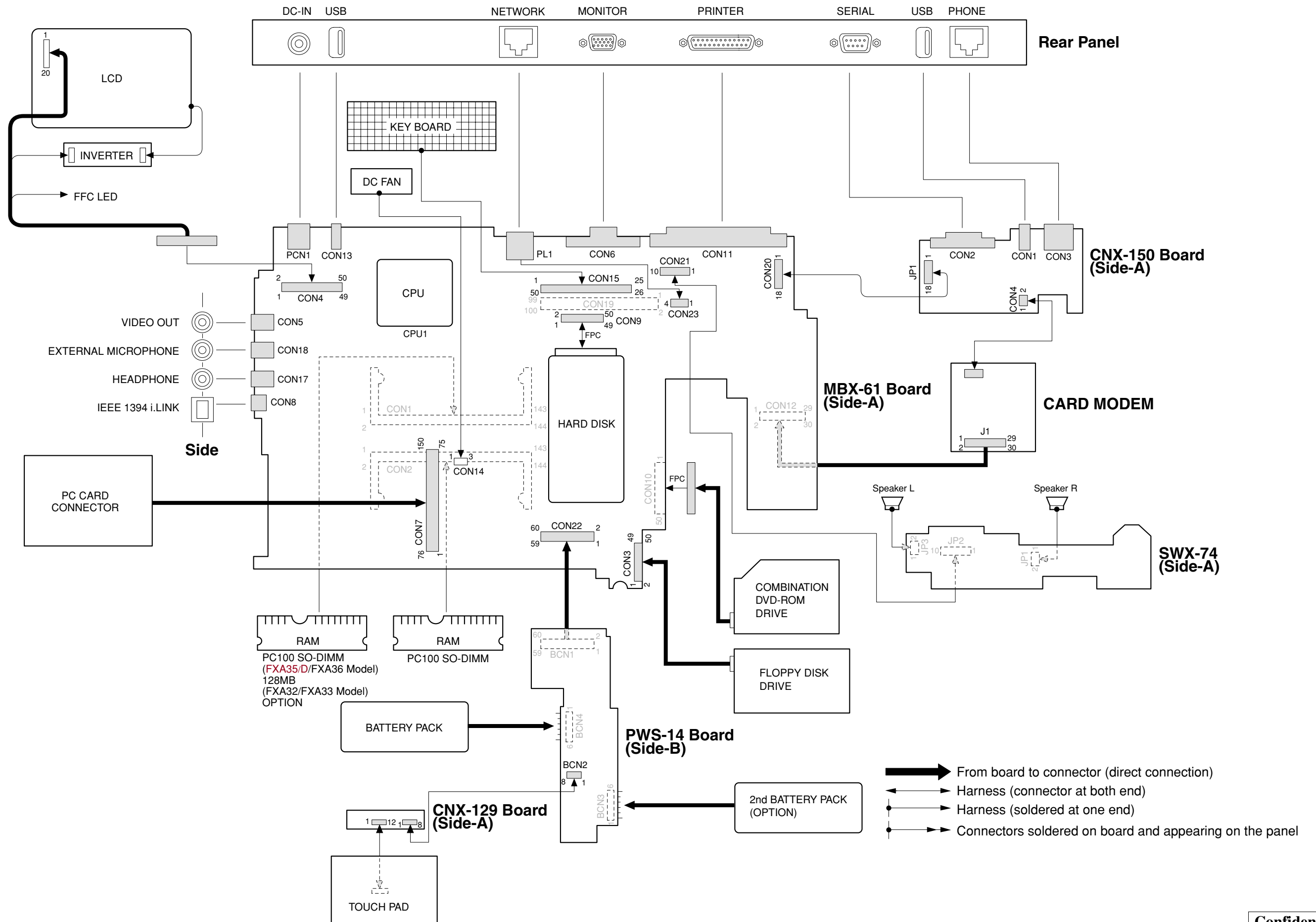
# CHAPTER 3. BLOCK DIAGRAM



**PCG-FX Series  
BLOCK DIAGRAM Rev.A  
w/ Port Replicator (PCGA-PRFX1) 2001/08/27**



# CHAPTER 4. FRAME HARNESS DIAGRAM



## ***EXPLODED VIEWS AND PARTS LIST***

---

### **NOTE:**

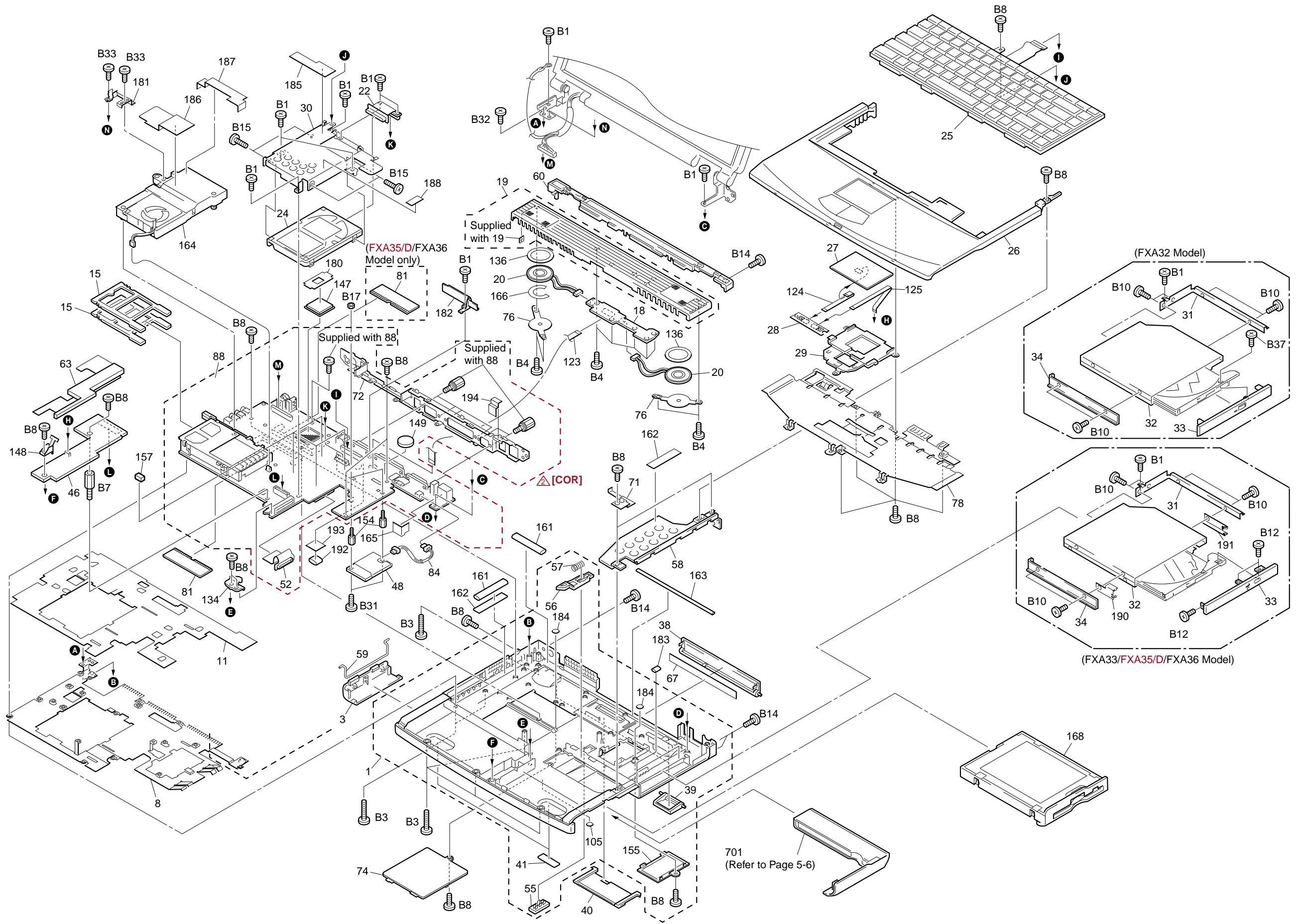
- The mechanical parts with no reference number in the exploded views are not supplied.
- Items marked “ \* ” are not stocked since they are seldom required for routine service. Some delay should be anticipated when ordering these items.
- When two or more parts are shown in parallel, use the part described first as the main part.
- The indication [CH] is used for identification of part type.
- Regarding the boards of this model, the discrete parts on the boards cannot be replaced. However, Some connectors can be replaced.

The components identified by mark  $\triangle$  or dotted line with mark  $\triangle$  are critical for safety. Replace only with part number specified.

Les composants identifiés par une marque  $\triangle$  sont critiques pour la sécurité. Ne les remplacer que par une pièce portant le numéro spécifié.

## 5-1. Main Section

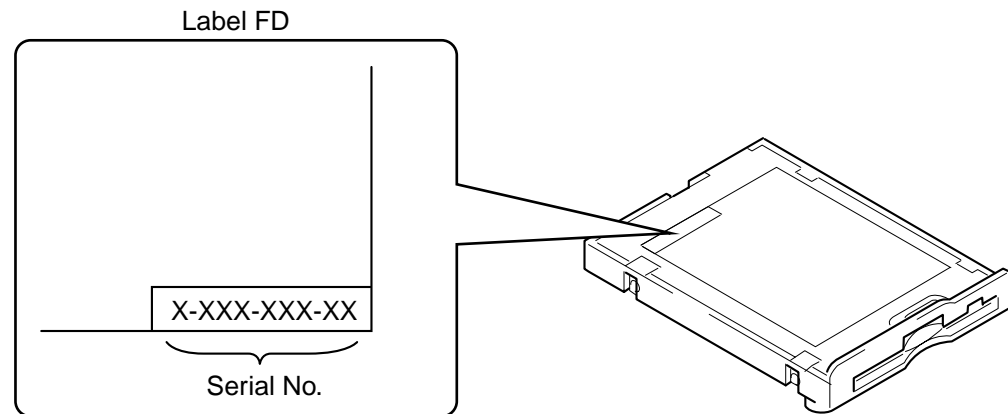
Ref.No.	Part No.	Description	Ref.No.	Part No.	Description
1	X-4623-848-1	[CH]...ASSY BOTTOM (Q)	149	1-756-148-11	SECONDARY BATTERY, LITHIUM
3	4-640-837-22	DOOR BATTERY	154	4-651-989-01	SPACER (MBX)
* 8	4-651-706-01	HEATSINK BOTTOM	155	4-651-701-01	DOOR MODEM
* 11	4-656-752-01	[CH]...INSULATOR HEATSINK BOTTOM	157	4-654-701-01	CUSHION (HD-M2)
15	4-643-832-21	DUMMY CARD	161	4-654-019-01	GASKET (AV)
18	A-8049-276-A	COMPLETE PWB SWX-74	162	4-654-047-01	SHIELD (AV)
19	X-4623-389-1	ASSY HOOD KEYBOARD Z (P)	163	4-653-936-01	GASKET (HB/M)
20	1-529-287-11	SPEAKER UNIT	164	A-8049-300-A	COOLING UNIT-2
22	1-790-639-22	FPC 50PIN (FOR HDD)	165	4-644-667-01	COVER RJ-11
24	1-796-230-11	(FXA35/D/FXA36)... HDD (DK23CA-20, 20G, BALL)	166	4-654-631-01	GUARD SPK
24	1-796-173-11	(FXA32/FXA33)...HDD (DK23CA-15-15G)	<del>168</del>	<del>A-8025-674-A</del>	<del>FDD UNIT ASSY (TN-CH)</del>
25	1-476-647-12	KEY BOARD UNIT (US)	180	4-658-086-01	(FXA32/FXA33)...TAPE CPU (D7)
26	X-4623-849-1	[CH]...ASSY PALMREST (Q)	180	4-656-486-01	(FXA35/D/FXA36)...TAPE CPU (A6)
27	1-772-529-72	PAD, TOUCH	* 181	4-654-398-01	PLATE GROUND (SH)
28	A-8049-275-A	COMPLETE PWB CNX-129	* 182	4-657-164-03	BRACKET WIRE 2
* 29	4-651-699-01	BRACKET PAD	183	4-655-511-01	GASKET (DRIVE)
* 30	4-651-708-12	BRACKET (HDD)	184	4-654-776-01	INSULATOR (SCREW)
31	4-640-861-04	BRACKET CD-ROM R	185	4-654-783-01	SHIELD TAPE (HDD)
32	1-796-072-21	(FXA33/FXA35/D/FXA36)... COMBO DRIVE (UJDA710)	186	4-655-042-01	SHIELD SHEET (FAN)
32	1-796-171-21	(FXA32)...DVD-ROM (SDR-081,8X)	187	4-658-711-01	SHIELD TAPE (FAN)2
33	X-4623-436-2	(FXA33/FXA35/D/FXA36)... ASSY DOOR DVD-RW (PA)	188	4-658-542-01	SPACER (KEY BOARD)
33	X-4623-747-1	(FXA32)...ASSY DOOR DVD-ROM (Q)	190	4-657-629-01	(FXA33/FXA35/D/FXA36)... SPRING DRIVE (PA)
* 34	4-640-860-03	BRACKET (CD-ROM L)	191	4-657-049-01	(FXA33/FXA35/D/FXA36)... SPRING DRIVE (PA-R)
38	4-656-727-01	[CH]...DOOR I/O	192	4-658-470-01	[CH]...GASKET (DOCK)
39	4-656-735-01	[CH]...FOOT REAR	193	4-659-640-01	TAPE (DOCK) J
40	4-651-714-01	DOOR DOCKING CONNECTOR	194	4-659-641-01	SHIELD TAPE (USB) 2J
41	4-656-736-01	[CH]...FOOT FRONT	B1	4-641-726-41	SCREW (M2), SPECIAL HEAD
46	A-8049-270-A	COMPLETE PWB PWS-14	B3	4-644-899-01	SCREW (M2), 0 NUMBER P3 KIND
48	1-761-380-23	CARD, MODEM	B4	4-639-112-01	SCREW M2X4
52	1-790-640-11	FPC 50PIN (FOR CD-ROM)	B7	4-644-402-12	SCREW (MBX)
55	4-640-845-11	BUTTON BAY	B8	4-641-726-11	SCREW (M2), SPECIAL HEAD
56	4-644-349-01	LATCH BAY	B10	4-652-498-01	+B M2 (NOJI)
* 57	4-640-854-01	SPRING BAY	B12	4-645-177-01	SCREW (M1.7X3.5)
* 58	4-651-850-01	BRACKET BOTTOM	B14	4-645-497-01	SCREW (M2.6), CROSS (HOLE) BIND
* 59	4-640-857-01	DOOR BATTERY SPRING	B15	4-635-301-01	SCREW M3X4
60	4-651-698-01	DISPLAY BASE	B17	7-622-205-05	NUT M2 TYPE2
63	4-651-928-02	COVER BATTERY CONNECTOR	B31	4-645-214-11	GRIP, M2
67	4-656-756-01	[CH]...LABEL I/O	B32	7-621-772-68	SCREW +B 2X12
* 71	4-641-851-02	SPRING (FDD), PLATE	B33	4-642-852-21	+B M2
72	4-657-283-01	[CH]...BRACKET IO	B37	4-650-481-01	SCREW (B1.7), TAPPING
74	4-651-702-01	DOOR DIMM	800	—	Refer to section "5-1-A.FDD Section".
* 76	4-644-361-01	BRACKET SPK			
* 78	4-644-362-11	PLATE PALMREST			
81	8-749-019-00	IC HYM71V16M655AT6-P (PC-100 SO-DIMM (128MB CL2))			
84	1-960-827-21	HARNESS (2 PIN)			
88	A-8025-405-A	MAIN BOARD ASSY			
105	4-641-630-11	COVER BAY HOLE			
123	1-790-711-21	FPC (PPK)			
124	1-757-767-11	FPC (TP-CNX)			
125	1-790-710-11	FPC (SWX-PWS)			
* 134	4-645-433-01	BRACKET BAY CONNECTOR			
136	4-644-357-01	CUSHION SPK			
147	6-701-605-01	(FXA32/FXA33)... IC DHM0900AQS1B (Duron 900MHz)			
147	6-701-607-01	(FXA35/D/FXA36)... IC AHM1000AVS3B (Athlon4 1.0GHz)			
148	X-4623-561-2	ASSY LATCH DETECTOR			



## 5-1-A. FDD Section

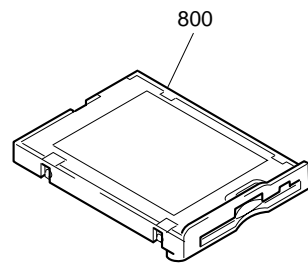
### How to use properly the FDD repair parts.

Types of service to be provided are different depending on the serial No. of the FDD in use.

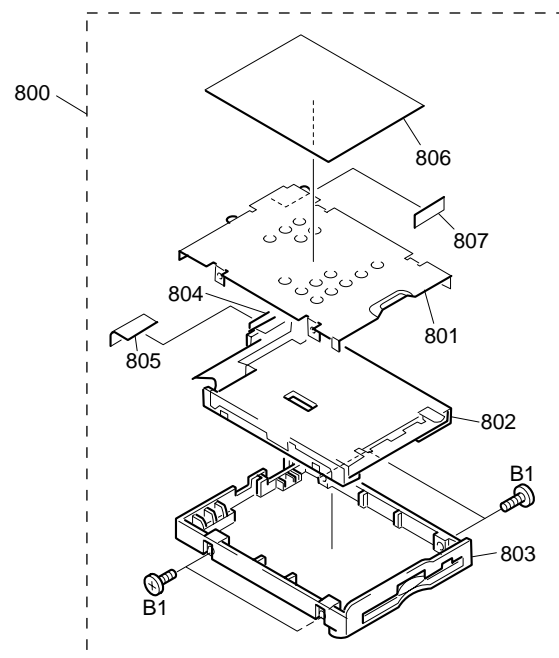


The service types are shown below depending on the serial No. that is printed in the bottom right of the FD label.

[Serial No. : 4-656-805-0\*]



[Serial No. : 4-641-763-3\*]

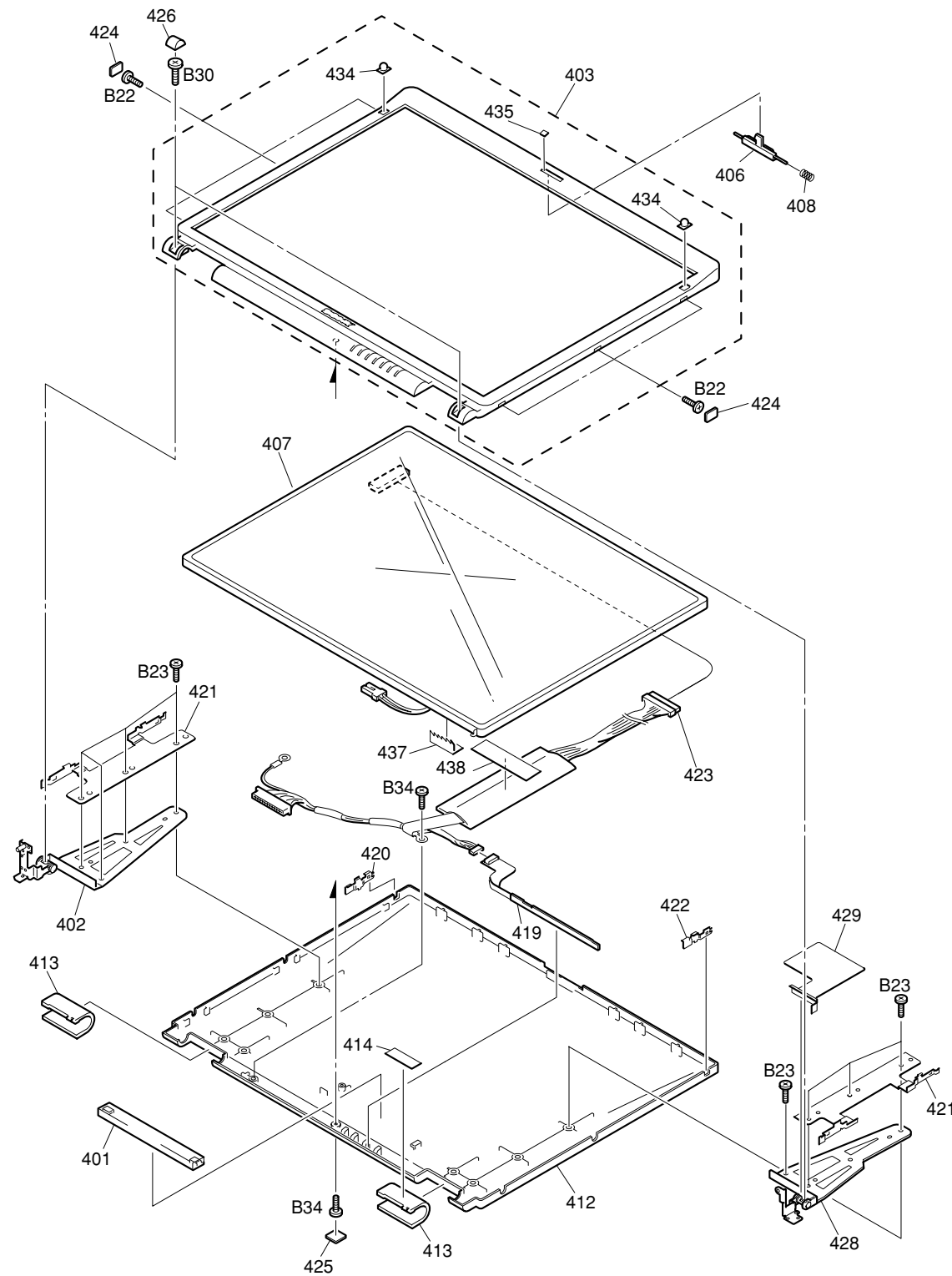


Ref.No.	Part No.	Description
800	A-8025-674-A	FDD UNIT ASSY (TN-CH)

Ref.No.	Part No.	Description
800	A-8025-669-A	ASSY BAY FD (TN)
801	4-640-828-01	PLATE FDD
802	1-796-231-11	FDD (FD-07-7760)
803	X-4623-835-1	ASSY BOTTOM FDD Z (TCY3)
804	1-790-641-11	FPC 50PIN (FOR FDD)
805	4-641-629-01	INSULATOR FDD
806	4-641-763-31	LABEL FD
807	4-644-053-01	SPACER FDD
B1	4-646-807-01	0 PLATE M2.5 (FDD)



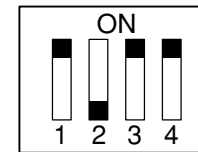
## 5-2. LCD Section (FXA32/FXA33/FXA36 Model) – Made by HI –



Ref.No.	Part No.	Description
401	1-476-318-21	INVERTER UNIT
402	X-4623-380-1	HINGE LEFT 15
403	X-4623-419-2	ASSY HOU,BEZEL 15H-Z
406	4-637-902-31	LATCH
407	1-476-186-12	LCD-UNIT (HI 15 TFT XGA)
408	4-637-903-01	SPRING LATCH
412	X-4623-416-1	ASSY HOU, DISPLAY 15H-Z
413	4-642-762-31	COVER HINGE (15)
414	4-658-354-11	(FXA36)...LABEL ID (U)
414	4-658-354-21	(FXA33)...LABEL ID (U)
414	4-658-354-31	(FXA32)...LABEL ID (U)
419	1-757-604-11	PWB, FLEXIBLE PRINT (SINGLE)
* 420	4-647-506-01	BRACKET LCD (L) 15SX
* 421	4-647-508-01	BRACKET LCD (LR) SX
* 422	4-647-507-01	BRACKET LCD (R) 15SX
423	1-961-018-61	HARNESS, LCD (XGA-F-N)
424	4-646-217-11	COVER SCREW SIDE (15)
425	4-635-277-22	COVER SCREW LOWER
426	4-643-549-12	COVER SCREW SHAFT
428	X-4623-381-1	HINGE RIGHT 15
429	4-643-366-11	EDGE GUARD HINGE (15)
434	4-635-276-22	COVER SCREW UPPER
435	4-642-760-12	CUSHION CENTER
437	4-643-837-01	SHIELD (LCD)
438	4-650-831-01	SHIELD TAPE (SK)
B22	4-641-726-81	SCREW (M2), SPECIAL HEAD
B23	4-644-165-01	SCREW (M2.6X4), 0 PLATE P1 MAIN
B30	4-643-550-01	+P 2.6X6 LOCK PRECISION TYPE3
B34	4-641-726-11	SCREW (M2), SPECIAL HEAD

### NOTE :

Set the DIP switch on the MBX-61 board (Main board) to match with the LCD (1-476-186-12) that is used in this computer.



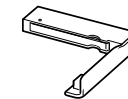
The upper position where ON indication is shown is the ON position . The lower position is the OFF position.

No.	1	2	3	4
ON/OFF	0	1	0	0

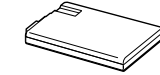
0 : ON 1 : OFF

Ref.No.	Part No.	Description
		ACCESSORIES *****
701	A-8048-965-A	ASSY WEIGHT SAVER (Z) (Refer to Page 5-4.)
△ 702	1-476-342-22	ADAPTOR, AC
703	1-756-167-12	BATTERY PACK, LITHIUM ION
704	1-575-875-51	CORD, CONNECTION
△	1-757-562-21	CORD, POWER
	4-658-809-11	QUICK START, TAURUS

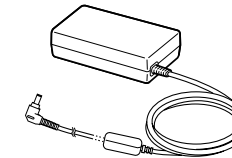
### 701 Weight saver (1)



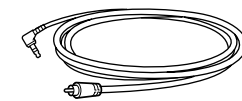
### 703 Battery pack (1)



### 702 AC adaptor (1)



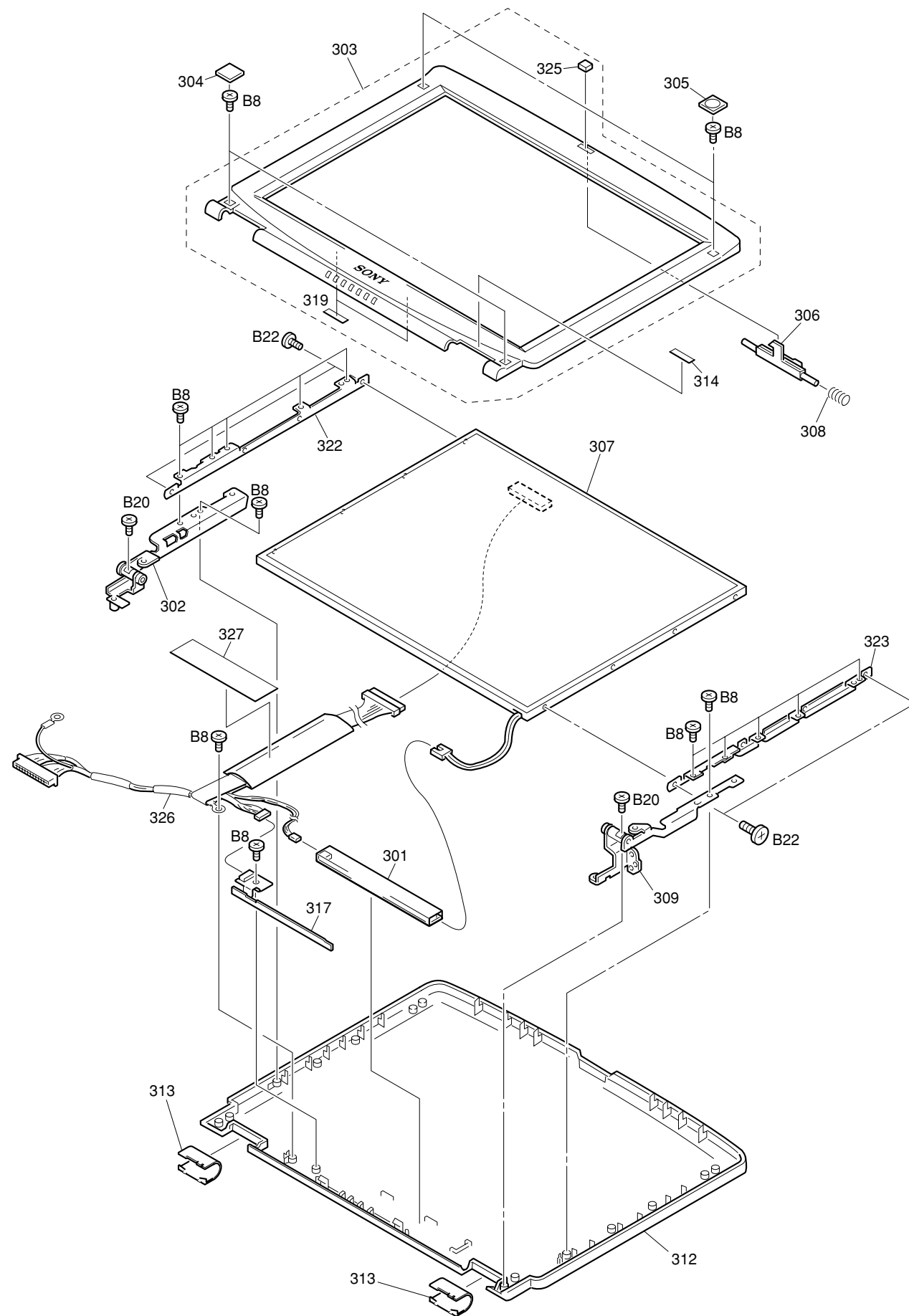
### 704 Video cable (1)



The components identified by mark △ or dotted line with mark △ are critical for safety. Replace only with part number specified.

Les composants identifiés par une marque △ sont critiques pour la sécurité. Ne les remplacer que par une pièce portant le numéro spécifié.

## 5-2-A. LCD Section (FXA35/D Model) – Made by HI –

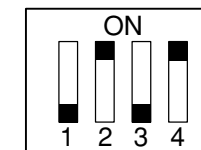


5-6 (a)

Ref.No.	Part No.	Description
301	1-476-318-21	INVERTER UNIT
302	X-4623-378-1	HINGE LEFT MV
303	X-4623-409-3	ASSY HOU, BEZEL 14SA-Z
304	4-635-277-22	COVER SCREW LOWER
305	4-635-276-22	COVER SCREW UPPER
306	4-637-902-31	LATCH
307	A-8025-245-A	ASSY LCD 14XGA (HT) (S)
308	4-637-903-01	SPRING LATCH
309	X-4623-379-1	HINGE RIGHT MV
312	X-4623-458-1	ASSY HOU, DISPLAY 14FV-Z
313	4-642-762-31	COVER HINGE (15)
314	4-658-354-41	LABEL ID (U)
317	1-757-605-11	PWB, FLEXIBLE PRINT (SINGLE)
319	4-654-966-01	SHEET (BEZEL), ADHESIVE
* 322	4-644-163-11	BRACKET LCD LEFT 14 (SA)
* 323	4-644-164-11	BRACKET LCD RIGHT 14 (SA)
325	4-642-760-12	CUSHION CENTER
326	1-961-018-81	HARNESS, LCD (XGA-F-N)
327	4-650-831-01	SHIELD TAPE (SK)
B8	4-641-726-11	SCREW (M2), SPECIAL HEAD
B20	7-628-254-00	SCREW +PS 2.6X5
B22	4-658-316-01	ACE (M2), +B LOCK

### NOTE :

Set the DIP switch on the MBX-61 board (Main board) to match with the LCD (A-8025-245-A) that is used in this computer.

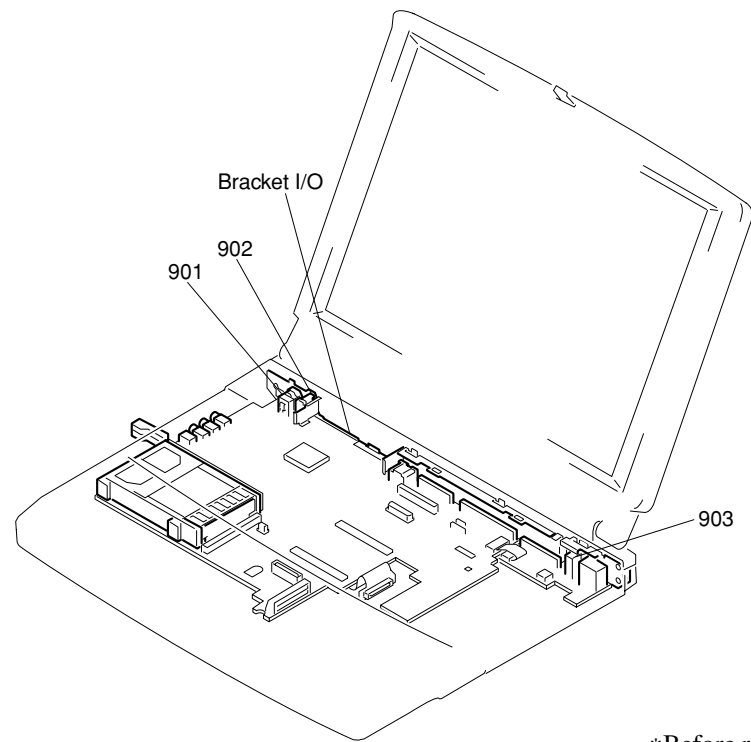


The upper position where ON indication is shown is the ON position. The lower position is the OFF position.

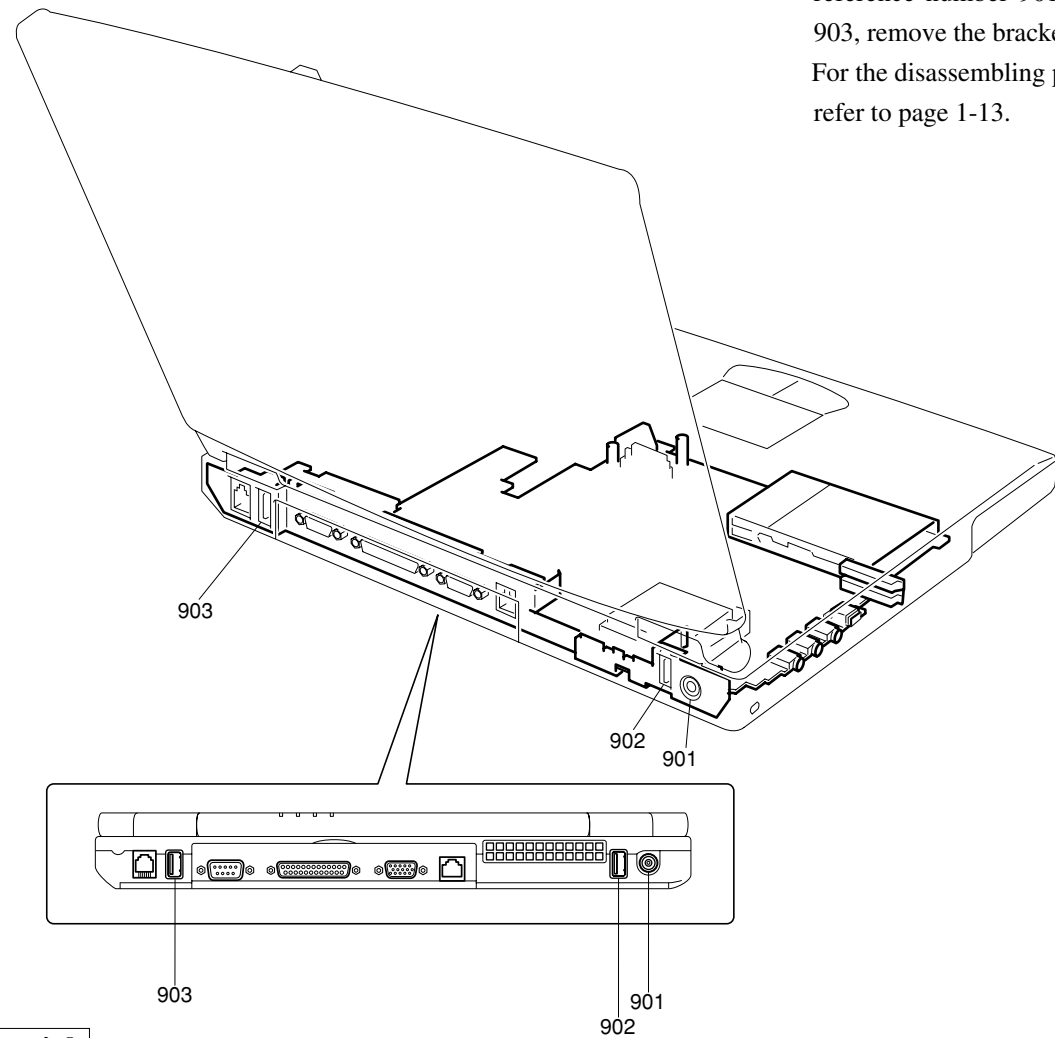
No.	1	2	3	4
ON/OFF	1	0	1	0
	0 : ON	1 : OFF		

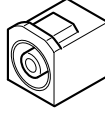
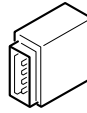
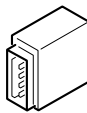
5-6 (b)

### 5-3. Connector Section





\*Before replacing the connector of reference number 901, 902 and 903, remove the bracket I/O. For the disassembling procedure, refer to page 1-13.



Ref.No.	Fig.	Part No.	Description
901		1-779-745-21	JACK, DC DC IN connector
902		9-885-018-97	CONNECTOR (1.2MM), USB USB connector
903		9-885-018-98	CONNECTOR (1.6MM), USB USB connector

\* Among the parts that are used on the boards of this model, only the connectors that are show in the list can be replaced.  
(The parts other that the specified connectors cannot be replaced.)

## Revision History

Suffix	Ver.	Date	Contents	QM No.
-01	Ver. 1	2001.10.03	First Edition	
-02	Ver.2	2002.01.07	<b>Front Page (Model Line Up), Page 1-3, Page 1-14, Page 4-1, Page 5-2, Page 5-3 Page 5-4, Page 5-6(a), Page 5-6(b), Back Cover</b>	M2002_001K
-03	Ver.3	2002.03.20	 <b>Page 5-3</b>	N2002_020K
-04	Ver.4	2002.03.26	 <b>Page 5-2, Page 5-4(a) Page 5-4(b)</b>	N2002_040K
<p>&lt; Remarks &gt;            2001.12.08                      Change of Service Manual P/N [ 9-872-253-01 ⇔ 9-874-453-01]</p>				