

# Addendum

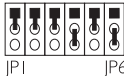
## P5XV3

### Rev. AC5+

---

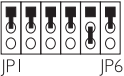
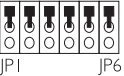


### Correction

The jumper settings (JP1-JP6) for AMD K6-266 processor on page 23 of the manual are incorrect. Please refer to the correct settings shown below.

AMD Processor	JP1 - JP6
K6-266 - 66MHz - 4x	 JP1                      JP6

### Supported New Processors

The system board now supports Cyrix 6x86MX-PR233, Cyrix M II-300, AMD K6-300 and AMD K6-2/266 processors. The jumper settings are shown below.

Processors	JP1 - JP6
Cyrix 6x86MX-PR233 - 66MHz - 3x	 JP1                      JP6
Cyrix M II-300 - 66MHz - 3.5x	 JP1                      JP6
K6-300 - 66MHz - 4.5x	 JP1                      JP6
K6-2/266 - 66MHz - 4x	 JP1                      JP6

### BIOS Update

The "Modem Use IRQ" field in the Power Management Setup of the Award BIOS has been removed. An IRQ will automatically be assigned to the external modem attached to the system. Please disregard relevant information in the manual.