

Quick Jumper Setting Reference

If you are familiar with most of the material in this chapter, you can begin preparing the mainboard for installation by using this quick reference to begin setting the jumpers. A detailed description of the jumper setting appears later in this chapter.

JP1: Clear CMOS jumper

Use this jumper to clear the system CMOS. Before clearing CMOS, the AC power should be disconnected.

Function	Jumper Setting
Clear CMOS	Short pins 1-2
Normal operation	Short pins 2-3



JP2: Keyboard power on jumper (manufacturing option)

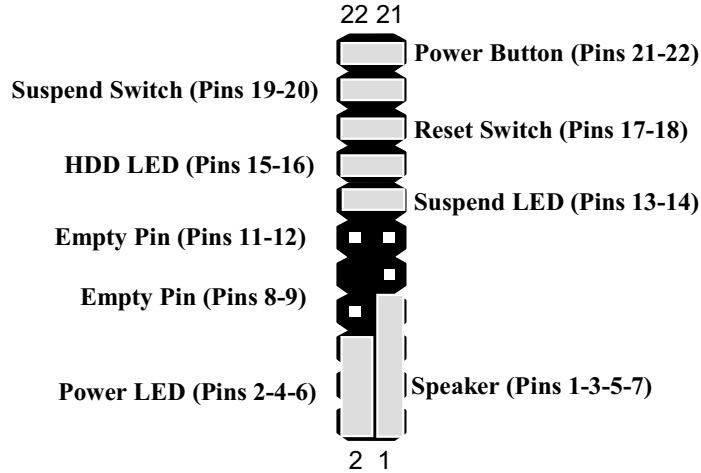
Use this jumper to enable the keyboard to power on the computer.

Function	Jumper Setting
Enable	Short pins 1-2
Disable	Short pins 2-3



PANEL1: Panel connectors for switches and indicators

Use the panel connector to implement the switches and indicators on your system case.



Function	Pins
Power Button	21, 22
Suspend Switch	19, 20
Reset Switch	17, 18
Hard Disk LED Indicator	+15, 16
Suspend LED Indicator	+13, 14
Empty Pin	11, 12
Empty Pin	8, 9
Power LED Indicator	+2, 4, 6
Speaker	1, 3, 5, 7

Note: The plus sign (+) indicates a pin which must be connected to a positive voltage.