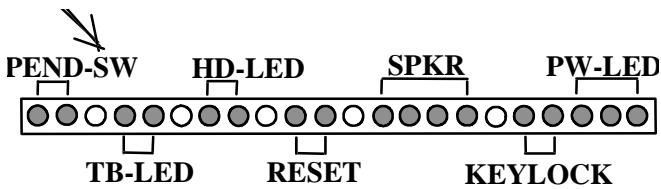
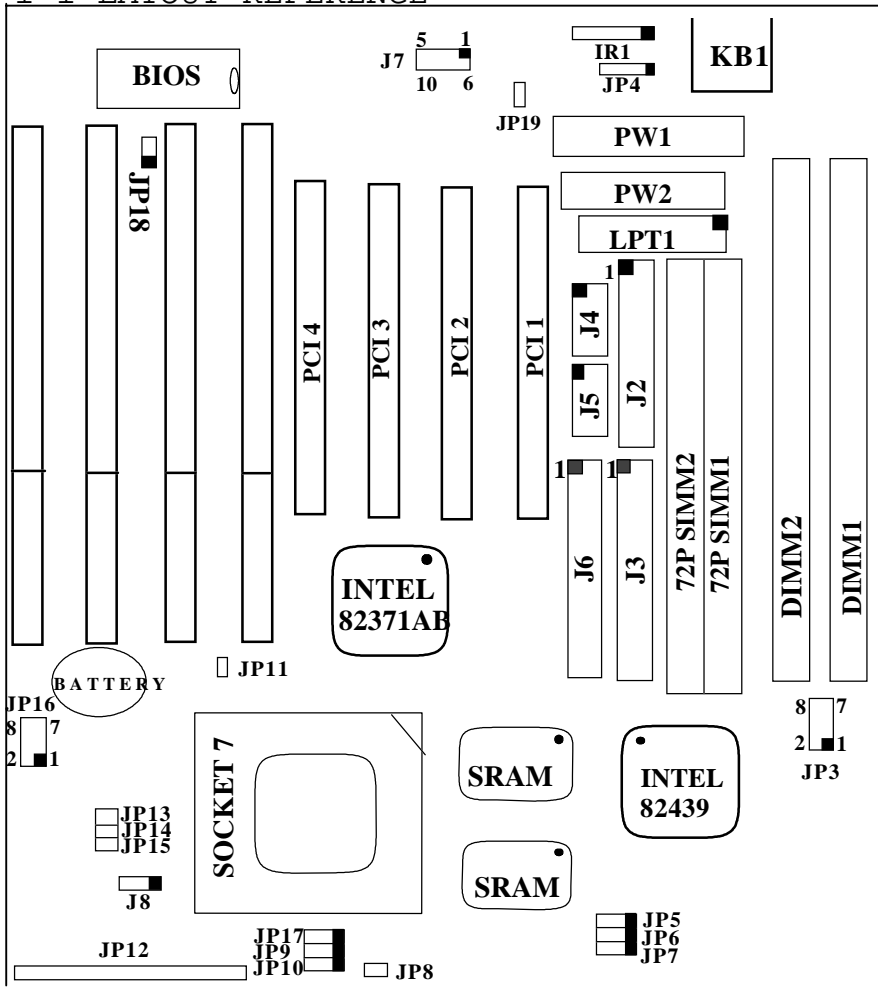


INTEL I430TX CHIPSET
PENTIUM SYSTEM BOARD
USER'S MANUAL
(VER : TX1B)

1-1 LAYOUT REFERENCE



1-2JUMPER SETTINGS

CPU	CLOCK SPEED	RATIO	JP5	JP6	JP7	JP9	JP10	JP13	JP14, JP15	JP16	
P54C 75	3.3V	50MHZ	1.5	1-2	1-2	1-2	1-2	1-2	ON	OFF	1-2,5-6,7-8
P54C 90	3.3V	60MHZ	1.5	2-3	1-2	1-2	1-2	1-2	ON	OFF	1-2,5-6,7-8
P54C 100	3.3V	66MHZ	1.5	1-2	2-3	1-2	1-2	1-2	ON	OFF	1-2,5-6,7-8
P54C 120	3.3V	60MHZ	2	2-3	1-2	1-2	1-2	2-3	ON	OFF	1-2,5-6,7-8
P54C 133	3.3V	66MHZ	2	1-2	2-3	1-2	1-2	2-3	ON	OFF	1-2,5-6,7-8
P54C 150	3.3V	60MHZ	2.5	2-3	1-2	1-2	2-3	2-3	ON	OFF	1-2,5-6,7-8
P54C 166	3.3V	66MHZ	2.5	1-2	2-3	1-2	2-3	2-3	ON	OFF	1-2,5-6,7-8
P55C 166	2.8/3.3V	66MHZ	2.5	1-2	2-3	1-2	2-3	2-3	OFF	ON	7-8
P54C 180	3.3V	60MHZ	3	2-3	1-2	1-2	2-3	1-2	ON	OFF	1-2,5-6,7-8
P54C 200	3.3V	66MHZ	3	1-2	2-3	1-2	2-3	1-2	ON	OFF	1-2,5-6,7-8
P55C 200	2.8/3.3V	66MHZ	3	1-2	2-3	1-2	2-3	1-2	OFF	ON	7-8
P55C 233	2.8/3.3V	66MHZ	3.5	1-2	2-3	1-2	1-2	1-2	OFF	ON	7-8

CPU FOR (PRXXXAB)	CLOCK SPEED	RATIO	JP5	JP6	JP7	JP9	JP10	JP13	JP14 JP15	JP16
PR75 3.52V	50MHZ	1.5	1-2	1-2	1-2	1-2	1-2	ON	OFF	1-2,3-4,5-6,7-8
PR90/PR120 3.52V	60MHZ	1.5	2-3	1-2	1-2	1-2	1-2	ON	OFF	1-2,3-4,5-6,7-8
PR100/PR133 3.52V	66MHZ	1.5	1-2	2-3	1-2	1-2	1-2	ON	OFF	1-2,3-4,5-6,7-8
PR166 3.52V	66MHZ	2.5	1-2	2-3	1-2	2-3	2-3	ON	OFF	1-2,3-4,5-6,7-8
K6 PR166 2.9/3.3V	66MHZ	2.5	1-2	2-3	1-2	2-3	2-3	OFF	ON	1-2, 7-8
K6 PR200 2.9/3.3V	66MHZ	3	1-2	2-3	1-2	2-3	1-2	OFF	ON	1-2, 7-8
K6 PR233 3.2/3.3V	66MHZ	3.5	1-2	2-3	1-2	1-2	1-2	OFF	ON	5-6, 7-8

CPU	CLOCK SPEED	RATIO	JP5	JP6	JP7	JP9	JP10	JP13	JP14 JP15	JP16
P120+ 3.52V	50MHZ	2	1-2	1-2	1-2	1-2	2-3	ON	OFF	1-2,3-4,5-6,7-8
P133+ 3.52V	55MHZ	2	1-2	1-2	2-3	1-2	2-3	ON	OFF	1-2,3-4,5-6,7-8
P150+ 3.52V	60MHZ	2	2-3	1-2	1-2	1-2	2-3	ON	OFF	1-2,3-4,5-6,7-8
P166+ 3.52V	66MHZ	2	1-2	2-3	1-2	1-2	2-3	ON	OFF	1-2,3-4,5-6,7-8
P133+ 2.8/3.3V 6X86L	55MHZ	2	1-2	1-2	2-3	1-2	2-3	OFF	ON	7-8
P150+ 2.8/3.3V 6X86L	60MHZ	2	2-3	1-2	1-2	1-2	2-3	OFF	ON	7-8
P166+ 2.8/3.3V 6X86L	66MHZ	2	1-2	2-3	1-2	1-2	2-3	OFF	ON	7-8
MX PR166 2.9/3.3V	60MHZ	2.5	2-3	1-2	1-2	2-3	2-3	OFF	ON	1-2,7-8
MX PR166 2.9/3.3V	66MHZ	2	1-2	2-3	1-2	1-2	2-3	OFF	ON	1-2,7-8
MX PR200 2.9V/3.3V	75MHZ	2	2-3	1-2	2-3	1-2	2-3	OFF	ON	1-2, 7-8

EXPLANATION OF JUMPER SETTING

JP5-JP7 CPU CLOCK SELECTOR

	50 MHZ	55 MHZ	60 MHZ	66.6 MHZ
JP5	1-2	1-2	2-3	1-2
JP6	1-2	1-2	1-2	2-3
JP7	1-2	2-3	1-2	1-2

JP13-JP15 SINGLE /DUAL VOLTAGE CPU SELECTOR

	SINGLE VOLTAGE CPU	DUAL VOLTAGE CPU
JP13	ON	OFF
JP14,JP15	OFF	ON

JP9,JP10 CPU FREQUENCY RATIO SELECTOR

	1.5 X	2.0 X	2.5 X	3.0 X	3.5 X
JP9 (BF0)	1-2	1-2	2-3	2-3	1-2
JP10 (BF1)	1-2	2-3	2-3	1-2	1-2

NOTE : JP17 RESERVED FOR AMD K6 BF2.

JP16 :VCORE VOLTAGE SELECT OR

JP16	VOLTAGE OUTPUT	JP16	VOLTAGE OUTPUT
1-2, 3-4, 5-6	3.50V	1-2, 7-8	2.90V
1-2, 5-6, 7-8	3.30V	7-8	2.80V
5-6, 7-8	3.20V	1-2, 5-6	2.50V
1-2, 3-4, 7-8	3.10V	1-2	2.10V
3-4, 7-8	3.00V	OFF	2.00V

JP3 : DIMM VOLTAGE SELECTOR

	3.3V DIMM	5V DIMM
JP3	1-2, 3-4, 5	6 7-8

JP11 : BATTERY SELECTOR

	NORMAL	CLEAR CMOS
JP11	SHORT (DEFAULT)	OPEN

JP18 : FLASH ROMSELECTOR

	NORMAL	ENABLE INTEL FLASH ROM BOOT BLOCK FUNCTION
JP18	OPEN	SHORT

JP12 : CASE CONNECTOR

JP19 : AT / ATX POWERSELECTOR

	AT POWER	ATX POWER
JP19	ON	OFF

J3, J6:

PRIMARY / SECONDARY IDE CONNECTOR

PCI IDE controller connector supports up to four hard disk drives, CD-ROM, 120MB floppy (reserved for BIOS) and other devices to CN1 and CN2.

J2 FLOPPY DISK CONNECTOR

Standard floppy disk connector supports 360K, 720K, 1.2M, 1.44M and 2.88M floppy disk type.

LPT1 : PARALLEL PORT CONNECTOR

PARALLEL port connector supports standard printer port, enhanced parallel port (EPP), extended capabilities parallel port (ECP).

J4,J5 : SERIAL PORT CONNECTOR.

SERIAL port connector supports 16550a high speed communication port that send/receive 16 bytes fifos.

J7 : USB (UNIVERSAL SERIAL BUS)CONNECTOR .

USB connector supports USB device.

USB PIN OUT			
USB1		USB2	
PIN1	+5V	PIN6	+5V
PIN2	USBP0-	PIN7	USBP1-
PIN3	USBP0+	PIN8	USBP1+
PIN4	GND	PIN9	GND
PIN5	GND	PIN10	GND

NOTE : USB (UNIVERSAL SERIAL BUS) AND IRCON CONNECTOR ARE OPTIONAL.

JP4 : PS/2 MOUSE CONNECTOR.

mouse connector supports PS/2 mouse .

PS/2 MOUSE PIN OUT

PIN # 1	MOUSE CLOCK
PIN # 2	MOUSE DATA
PIN # 3	NONE
PIN # 4	GND
PIN # 5	VCC

IR1 : IRCON (INFRARED) CONNECTOR

IR connector supports IR device.

IR CONNECTOR PIN OUT						
PIN 1	PIN 2	PIN 3	PIN 4	PIN 5	PIN 6	PIN 7
RX	GND	TX	+5V	RXH	VCC	GND

NOTE : IR uses same I/O port as COM2. THERE is no any hardware jumper setting for IR/COM2 on this main board but customer needs to set proper BIOS setting for "HPSIR" , "ASKIR" or "DISABLED"(DEFAULT) UNDER "INFRA RED (IR) function" of

"INTEGRATED Peripheral" according to the following table:

	IRDA 1.0	ASKIR	DISABLED
(UNDER INTEGRATED PERIPHERALS)"INFRA RED (IR) FUNCTION "	USE IRDA 1.0 ON IRCON.	USE AMPLITUDE SHIFT KEYED IR ON IRCON .	USE COM2 (DEFAULT)