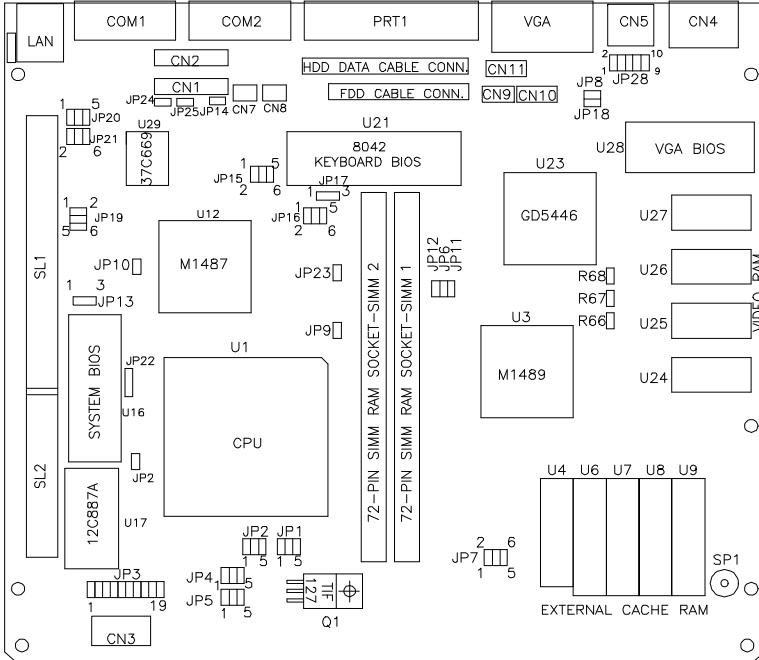


# 1. Jumpers Location Diagram for "A47 ver 3.X" Main Board



---

## 2. Memory Configuration

### • System Memory's Configuration.

Following table illustrates how to expand the memory size on the main board.

Capacity	SIMM 1 Socket	SIMM 2 Socket
<b>4MB</b>	4MB (single bank module)	/
<b>8MB</b>	4MB (single bank module )	4MB (single bank module)
<b>8MB</b>	8MB (double bank module )	/
<b>8MB</b>	/	8MB (double bank module )
<b>16MB</b>	8MB (double bank module )	8MB (double bank module )
<b>16MB</b>	16MB (single bank module )	/
<b>16MB</b>	/	16MB (single bank module)
<b>32MB</b>	16MB (single bank module )	16MB (single bank module )
<b>32MB</b>	32MB (double bank module )	/
<b>32MB</b>	/	32MB (double bank module )
<b>64MB</b>	32MB (double bank module )	32MB (double bank module )

### • VGA Memory's Configuration.

For "47" main board, Video memory capacity standard is **1MB** and expandable to 2MB. Please contact your distributor the procedure how to upgrade VGA memory.

Following table illustrate how to expand the VGA memory size on the main board.

Capacity	U24	U25	U26	U27	Video DRAM Type
<b>1MB</b>	ON	ON			256KB X 16 SOJ package
<b>2MB</b>	ON	ON	ON	ON	256KB X 16 SOJ package

( Note 1 : Installed - ON, None installed - BLANK )

( Note 2 : 512KB is used for Cirrus GD-5430 chipset only )

---

### **IMPORTANT**

**The on board VGA function can not be disabled. If an VGA card must be installed, please be sure to disable on board VGA function by removing main board's VGA chipset and VGA RAM**

## **3 Jumper settings**

### **CPU type selection: JP1, JP2, JP3**

<b>CPU</b>	<b>JP1</b>	<b>JP2</b>	<b>JP3</b>
Intel 486SX	2-4	1-3	Open
Intel 486DX/DX2/DX4	3-5, 4-6	1-3	Open
Intel 486SX-S (Green )	2-4	1-3	7-8, 11-12, 15-16
Intel 486DX/2/4-S (Green)	3-5, 4-6	1-3	7-8, 11-12, 15-16
Intel P24C	3-5, 4-6	1-3	7-8, 11-12, 15-16
Intel 486DX/DX2/DX4 (Write Back)	3-5, 4-6	3-5, 4-6	3-4, 7-8, 11-12, 15-16
Intel P24T	1-3, 4-6	3-5	7-8, 11-12, 15-16
AMD 486DX /DX4 (NV8T)	3-5, 4-6	1-3	Open
AMD 486DX2/DE2(NV8T)	3-5, 4-6	1-3	19-20
AMD DX2 (enhance SV8B) AMD X5 (AM5x86)	3-5, 4-6	3-5,4-6	0-1, 3-4, 7-8, 11-12, 15-16
AMD DX4 (SV8B) Cyrix Cx5x86	3-5,4-6	3-5,4-6	3-4, 7-8, 11-12, 15-16
Cyrix/ IBM/TI DX/DX2	3-5, 4-6	1-3, 2-4	1-2, 9-10, 13-14, 17-18

### **CPU Clock Selection**

<b>CPU Clock</b>	<b>JP16</b>
SX-25 / DX-50 / DX4-75	1-2
SX-33 / DX-33 / DX2-66 / DE2-66 / DX4-100 / 5x86-133	1-2, 3-4, 5-6
DX-40 / DX2-80 / DX4-120 / 5x86-120	1-2, 3-4
DX-50 / DX2 - 100	5-6

---

### **PCI Bus Clock Selection**

<b>PCI Clock</b>	<b>JP23</b>	<b>JP11</b>
> 33MHz	1-2	close
< =33MHz	2-3	open

### **CPU Power Selections**

<b>CPU Power</b>	<b>JP4</b>	<b>JP5</b>
5V	1-3, 2-4	/
3.3V	3-5, 4-6	5-6
3.5V	3-5, 4-6	3-4

### **On-board Cache SRAM Size Selection**

<b>Cache SRAM Size</b>	<b>JP7</b>
128KB	3-5, 4-6
256KB	1-3, 4-6
512KB	1-3, 2-4

### **On-board Keyboard Interface Selection**

<b>Keyboard Interface</b>	<b>JP12</b>	<b>JP15</b>
8042/80C42	Close	1-3, 2-4
Built-in Core Logic	Open	3-5, 4-6

### **RTC Interface Selection**

<b>Function</b>	<b>JP10</b>	<b>JP8</b>	<b>JP22</b>	<b>*JP2</b>
RTC chipset is 12C887A	Close	Close	1-2	Open
RTC chipset is built-in Core Logic	Open	Open	/	/
12C887A SRAM Clean	Close	Close	/	Close

**\* JP2 is subject to customer's request**

---

## **Power Supply Selection**

<b>Power</b>	<b>JP14</b>	<b>JP24</b>	<b>JP25</b>
External Power for 5000 series	Close	Open	Open
Internal Power for 1000/4000 series	Open	Close	Close

**Reserve: JP6, JP9, JP11, JP18 (Open)**

## **On-board VGA Interface Selection**

<b>Function</b>	<b>R66</b>	<b>R67</b>	<b>R68</b>
On-board VGA chipset is GD-5434	Install	Install	Uninstall
On-board VGA chipset is GD-5430	Install	Uninstall	Install
On-board VGA chipset is GD-5440	Install	Uninstall	Install
On-board VGA chipset is GD-5446	Install	Install	Uninstall

## **On-board Flash ROM (BIOS) Selection**

<b>Flash ROM Vpp type</b>	<b>JP13</b>
+12V	1-2
+5V	2-3

## **Serial Port CD (carrier detect) signal Selection**

<b>Function</b>	<b>JP20</b>
Port 1 CD signal connect to COM1 output connector pin1	1-2
+5V connect to COM1 output connector pin 1	3-4
+12V connect to COM1 output connector pin 1	5-6

<b>Function</b>	<b>JP21</b>
Port 2 CD signal connect to COM2 output connect pin 1	1-2
+5V connect to COM2 output connector pin 1	3-4
+12V connect to COM2 output connector pin 1	5-6

---

## **Parallel Port DMA Channel For SMC 37C669**

<b>DMA Channel Selection</b>	<b>JP19</b>
Channel 3	1-3, 2-4

## **Power Connector Selection**

<b>Power Supply Type</b>	<b>CN1</b>	<b>CN2</b>
2000/4000 series internal power	connect to power supply's DC output cable	none
5000 series External power	connect to DC switch cable	connect to DC power cable from DC power jack

## **PCI Bus Hardware ID Default**

<b>PCI Interface</b>	<b>Controller</b>	<b>Hardware ID</b>
VGA	Cirrus CL-GD543x	ID SEL = 19

## **VGA to TV Connector Description**

<b>JP1 Pin #</b>	<b>Description</b>
1	GND
2	Blue Signal
3	GND
4	Green Signal
5	GND
6	Red Signal
7	Detect VGA Monitor
8	Hsync Signal
9	GND
10	Vsync Signal

---

---