
HP OmniBook 800 Disk Drives

Installation Guide

Notice

This manual and any examples contained herein are provided “as is” and are subject to change without notice. Hewlett-Packard Company makes no warranty of any kind with regard to this manual, including, but not limited to, the implied warranties of merchantability and fitness for a particular purpose. Hewlett-Packard Co. shall not be liable for any errors or for incidental or consequential damages in connection with the furnishing, performance, or use of this manual or the examples herein.

Consumer transactions in Australia and the United Kingdom: The above disclaimers and limitations shall not apply to Consumer transactions in Australia and the United Kingdom and shall not affect the statutory rights of Consumers.

© Copyright Hewlett-Packard Company 1996. All rights reserved. Reproduction, adaptation, or translation of this manual is prohibited without prior written permission of Hewlett-Packard Company, except as allowed under the copyright laws.

The programs that control this product are copyrighted and all rights are reserved. Reproduction, adaptation, or translation of those programs without prior written permission of Hewlett-Packard Co. is also prohibited.

Portions of the programs that control this product may also be copyrighted by Microsoft Corporation, Microcom Systems, Inc., SystemSoft Corp., and NeoMagic, Inc. See the individual programs for additional copyright notices.

Microsoft, MS, MS-DOS, and Windows are registered trademarks of Microsoft Corporation in the United States and/or other countries.

For warranty information, see the *Support and Service* booklet.

Hewlett-Packard Company
Mobile Computing Division
1000 N.E. Circle Blvd.
Corvallis, OR 97330, U.S.A.

Edition History

Edition 1 June 1996



This manual is printed on recycled paper.


Contents

1 Using OmniBook Disk Drives	1-5
Installing a Floppy Disk Drive	1-8
To install a floppy disk drive	1-9
To remove a floppy disk drive	1-10
To insert or remove a floppy disk	1-10
Replacing a Hard Drive	1-11
To remove a hard drive	1-11
To install a hard drive	1-14
Restoring OmniBook Software	1-18
To restore Windows 95	1-18
To restore Windows for Workgroups	1-19
To restore an alternate operating system	1-20
2 Troubleshooting	1-23
Solving Basic Problems	1-25
3 Specifications and Regulatory Information	1-29
Hardware Specifications	1-31
Regulatory Information	1-32
U.S.A.	1-32
Canada	1-33
Japan	1-33
Europe	1-34



Using OmniBook Disk Drives

Using OmniBook Disk Drives



The OmniBook Disk Drives *Installation Guide* describes the following OmniBook disk drives and shows you how to install and use them:

- ◆ F1059B floppy disk drive.
- ◆ F1059C floppy disk drive.
- ◆ F1164A 810-MB hard disk drive.
- ◆ F1166A 1.44-GB hard disk drive.

Where can I get help?

There are many ways to get information and technical support for your OmniBook. If you have a question about your OmniBook that this manual does not answer, you can try any of the following sources:

- The online OmniBook *User's Guide*

The online manual provides complete instructions about how to operate and maintain your OmniBook. You can view the manual online—or, print it.

- The World Wide Web

The HP web site provides a wealth of information about our mobile-computing products. Here you can download new software and drivers, get detailed setup instructions, or view a list of common questions and answers. You can also find out how to get information and ask questions through CompuServe and America Online.

The HP web site address is <http://www.hp.com/go/omnibook>

- Technical Support

If you'd like to talk to a trained representative, you can call Technical Support. If the product is under warranty, the technical assistance is normally free. Your only charge will be the telephone call and you will speak directly to a support specialist.

The Technical Support telephone number for your area is listed in the *Support and Service* booklet that you received with your OmniBook.

- HP First (automated fax service)

You can also try the HP automated fax service. Through HP First, you can access thousands of documents that provide help or information by fax.

The HP First telephone number is: (800) 333-1917 (inside U.S. and Canada).

(208) 344-4809 (outside U.S. and Canada).

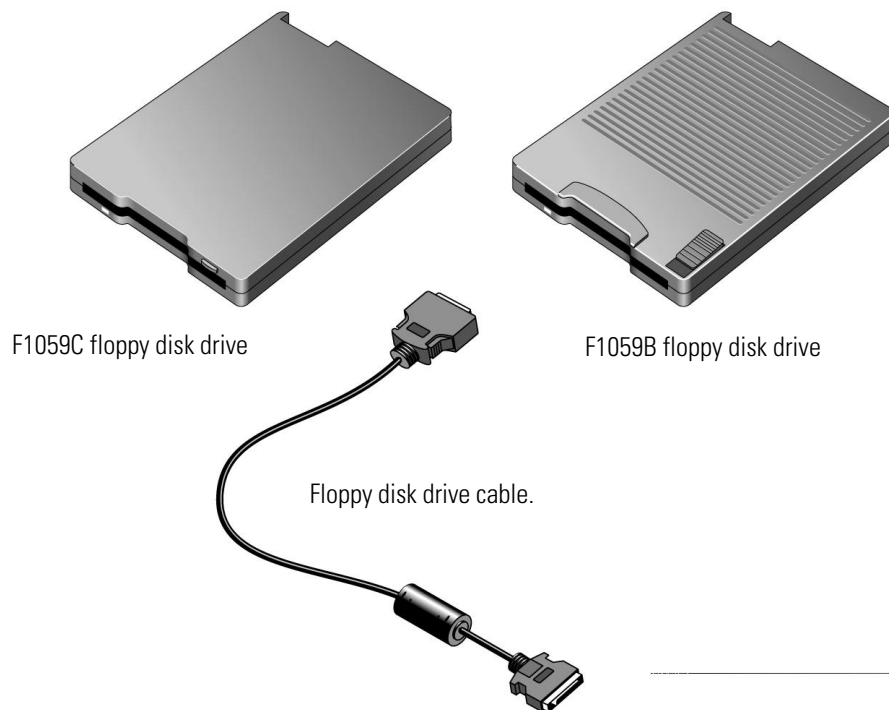
Installing a Floppy Disk Drive

There are two floppy disk drive models designed for the OmniBook 800—the F1059C and the F1059B. Both models accept 3.5-inch disks (1.44 MB and 720 KB).

(The F1059C also reads disks formatted for use in Japan.)

This section describes how to

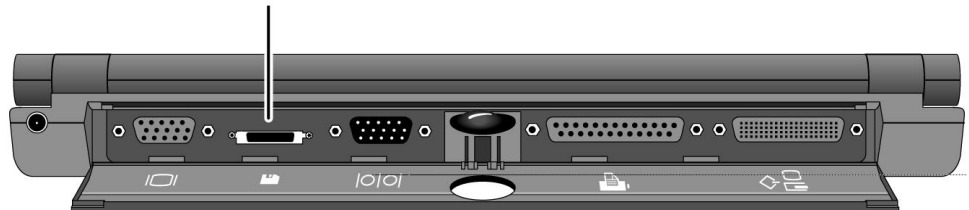
- ◆ Install a floppy disk drive.
- ◆ Remove a floppy disk drive.
- ◆ Insert and eject a floppy disk.



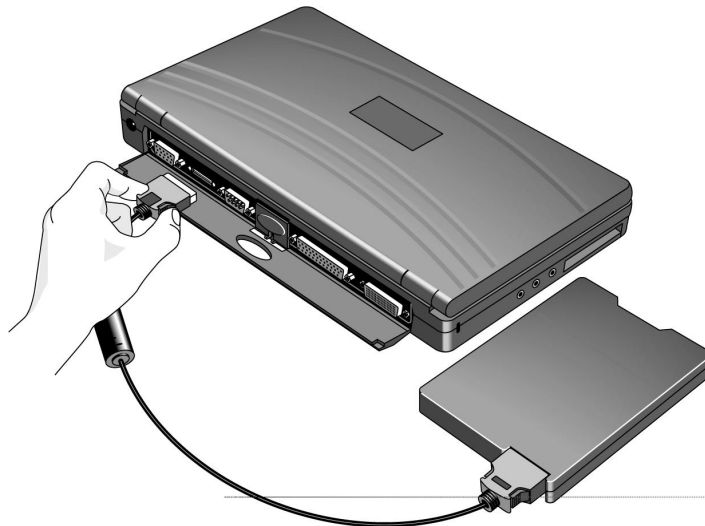
To install a floppy disk drive

1. Gather your floppy disk drive, disk drive cable, and OmniBook.
2. Squeeze the tabs on the large cable plug and hold firmly while inserting the plug into the back of the floppy disk drive.
3. Open the port cover on the back of the OmniBook.

floppy disk drive port



4. Squeeze the tabs on the small cable plug and hold firmly while inserting the plug into the floppy disk drive port on the back of the OmniBook.



To remove a floppy disk drive

CAUTION

Always wait until all disk activity stops before ejecting a disk or unplugging a cable. The light on the front of the floppy disk drive is on when the OmniBook is reading from or writing to the floppy disk drive.

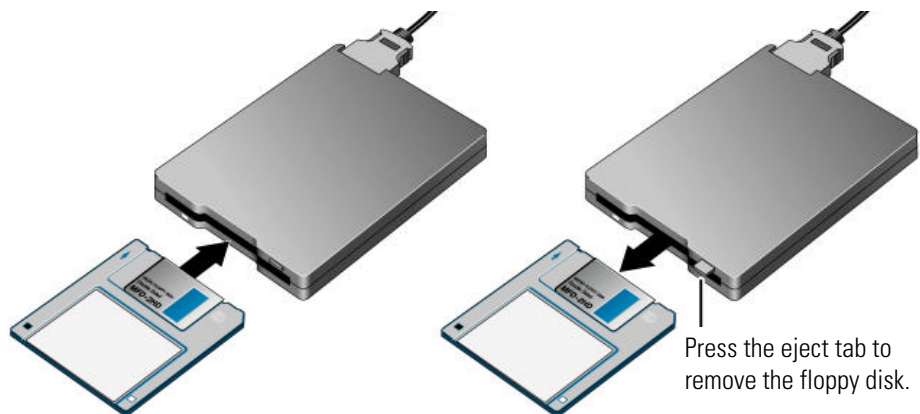
1. Squeeze the tabs on the large cable plug and hold firmly while pulling the plug from the back of the floppy drive.
2. Squeeze the tabs on the small cable plug and hold firmly while pulling the plug from the back of the OmniBook.

To insert or remove a floppy disk

CAUTION

Do not remove a floppy disk while the OmniBook is actively reading or writing data. Wait until the floppy drive is done —otherwise, you could lose data or the OmniBook could stop responding.

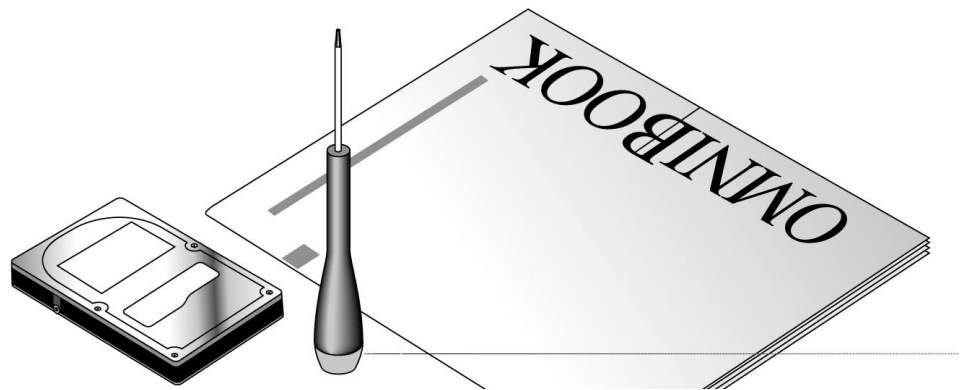
1. To insert a floppy disk, hold the disk with its face up and slide it into the floppy drive slot until it clicks into place.
2. To remove the floppy disk, press the eject tab. (If you're using the F1059B model, slide the eject switch on the top of the floppy disk drive to the rear.)



Replacing a Hard Drive

Before replacing the hard drive, check to make sure that you have the following three items:

- Hard disk drive.
- Torx T6 screwdriver for opening your OmniBook computer.
- This HP OmniBook *Installation Guide*.



To remove a hard drive

You normally don't remove drive C, the main internal disk (also called the "hard-disk drive"). The two main reasons to replace drive C are for upgrade and for repair.

CAUTION

Back up your files before replacing the drive.

Take precautions against damage from static electricity. Gather all the parts you need so you can complete the installation in one sitting. Don't remove the drive from its packaging until you're ready to insert it.

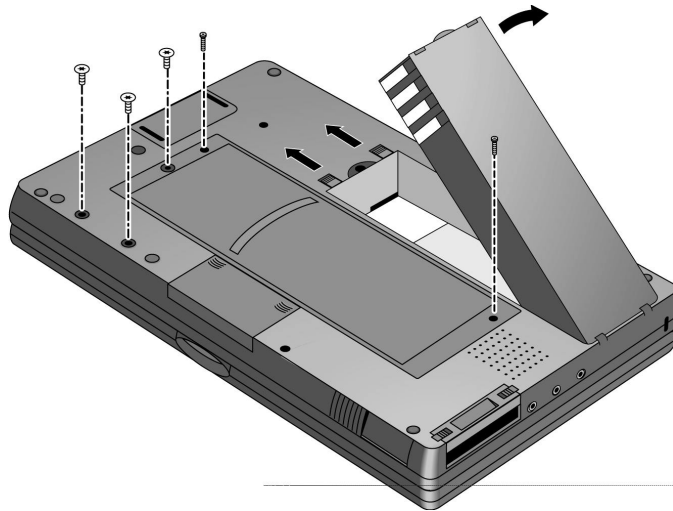
When you remove the drive from its packaging, hold it only by its edges.

Turn off the computer, unplug the ac adapter, and remove the battery before removing the hard drive. Otherwise, the OmniBook or the hard drive may be damaged.

Using OmniBook Disk Drives
Replacing a Hard Drive

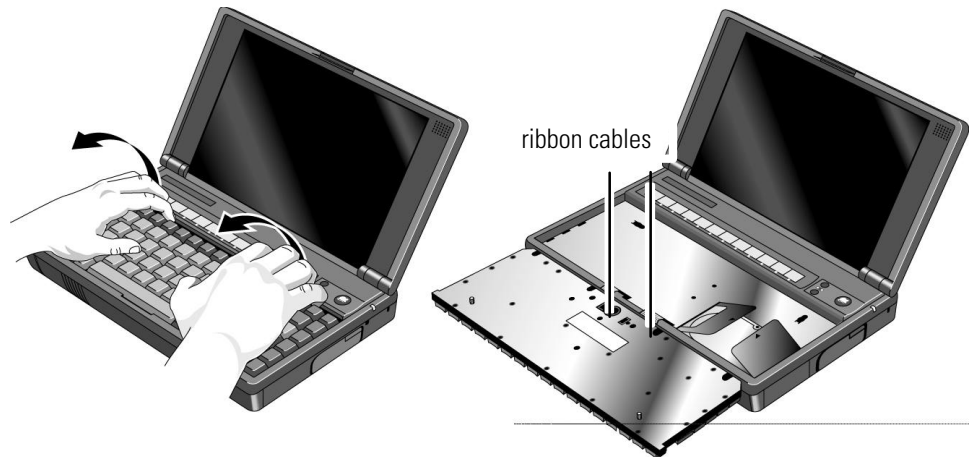
Back up any personal or data files that reside on drive C. You can back up the files to a tape drive, a network drive, a PC card, or a floppy disk.

1. Back up your files.
 - If you're using Windows 95, use the Backup utility (Start, Programs, Accessories, System Tools, Backup, Backup tab).
 - If you're using Windows for Workgroups, back up individual files (File Manager) or use a commercial back-up program.
2. Exit Windows.
 - If you're using Windows 95, use the Shut Down option from the Start menu.
 - If you're using Windows for Workgroups, exit Windows, then press CTRL+ALT+blue On/Off button simultaneously.
3. *Important:* Turn off the OmniBook, unplug the adapter, and remove the battery.
4. Close the cover and turn your computer over. Using a Torx T6 screwdriver, remove the five screws holding the hard drive and the keyboard in place (the exact locations vary with the type of hard drive).

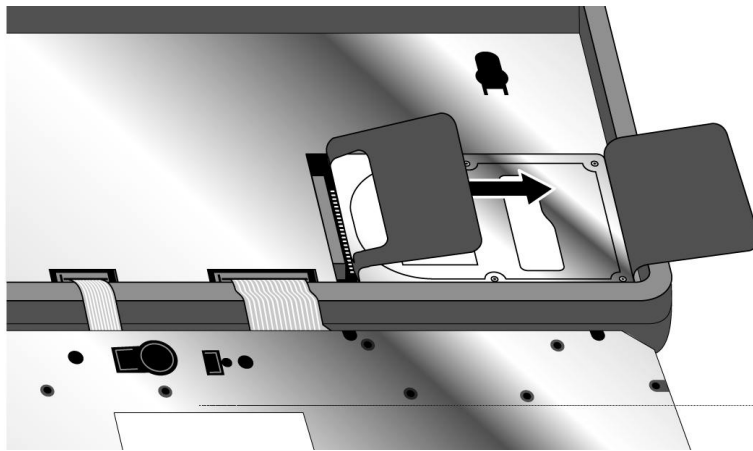


5. To release the keyboard, pull forward gently on the top row of keys. Gently fold the keyboard forward so that it lies upside down on the table.

Do not pull up on the keyboard. Keep the ribbon cables tucked in the case, otherwise you will need to tuck them back in with a paper clip. Do not pick up the computer while the keyboard is out.



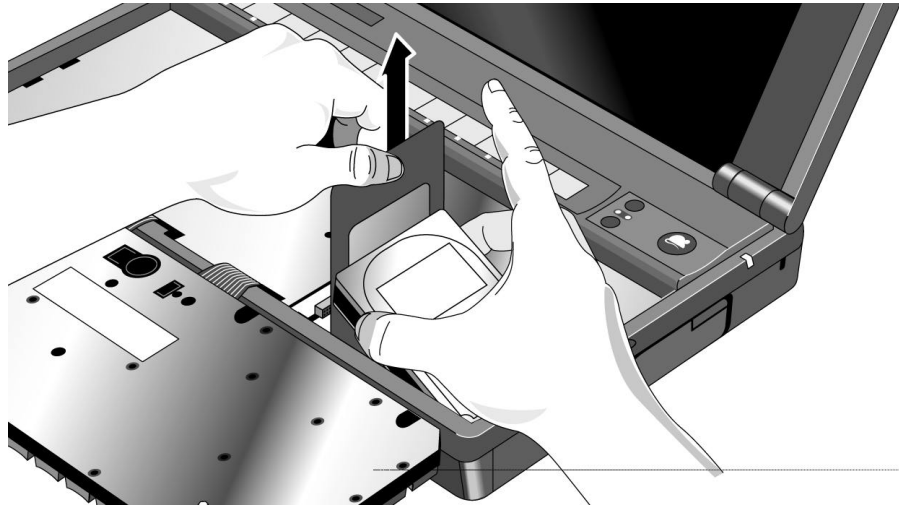
6. Disengage the hard drive connectors by grasping the left flap of the protective sheet and pulling to the right as shown.



7. Gently lift up on the left flap and remove the hard drive. The protective sheet stays in place.

CAUTION

Handle the hard drive only by its edges to avoid damage from electrostatic discharge.



To install a hard drive

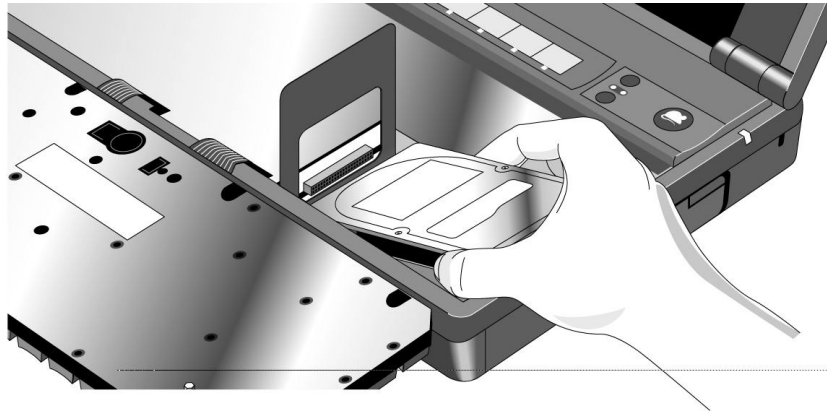
After following the instructions for removing drive C, use the next procedure to install another hard drive.

CAUTION

Take precautions against damage from static electricity:

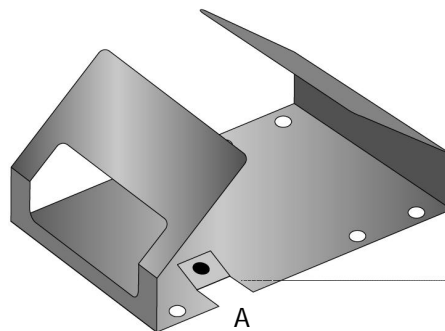
- Gather all the parts you need to complete the installation in one sitting.
- Keep the drive in its protective packaging until you're ready to insert it.
- When you remove the drive from its packaging, hold it only by its edges.

1. Holding the new hard drive by its edges, place it in the hard drive compartment. The right edge of the hard disk drive should be flush with the edge of the compartment.



2. If your new hard drive is from a different manufacturer than the old one, it may have screws in different positions. Determine which mounting holes you need; then, if necessary, push out rubber screw-hole covers from the inside using a bent paper clip. (From the outside of the computer, insert the rubber covers into the holes you won't need.)

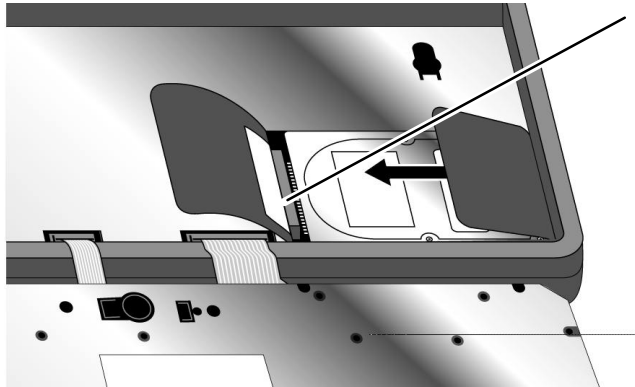
If your new hard drive has screws in different positions from the old one, you will also need to adjust the insulator sheet. Compare the location of the screw-holes in the new hard drive with those in the insulator sheet. If there is *no* screw at position A, then *unfold* the flap at position A, and lay it flat before laying the hard drive down on the insulator.



3. Grasp the right flap and pull to the left to engage the connection between the hard drive and the computer. Then fold the protective sheet back over the hard drive.

Connectors align here.

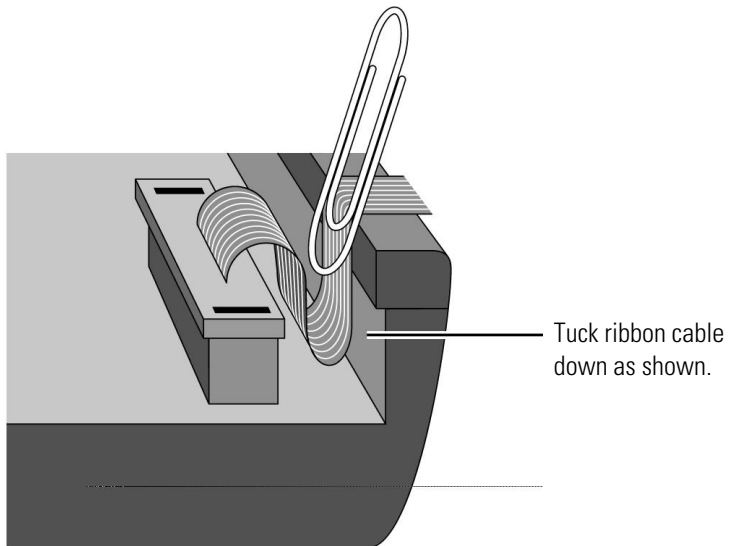
Using OmniBook Disk Drives
Replacing a Hard Drive



CAUTION

Do not push down on the hard drive . If the hard drive connectors do not engage the computer connectors, pull the hard drive back out and try again.

4. If the ribbon cables on the keyboard are no longer tucked into the case, then push them back into the recessed openings with a paper clip, as shown below.



5. Insert the keyboard by engaging the four front tabs on the keyboard into the four slots in the computer case, pressing down on the keyboard as you insert

the tabs. Make sure the ribbon cables slide into the recessed openings *and do not extend back under the keyboard.*

6. Close the OmniBook, turn it over, and insert the five screws removed previously. *Tighten the screws only until you just feel resistance.*
7. Insert the battery, then connect the ac adapter.
8. Press the reset button.



Restoring OmniBook Software

To complete the upgrade process, you'll need to restore your operating system and any data files that you backed up. This section describes how to restore

- Windows 95 and your original OmniBook software.
- Windows for Workgroups and your original OmniBook software.
- An alternate operating system and your original OmniBook software.

To restore Windows 95

The following procedure describes how to restore Windows 95 and your original OmniBook software. *These steps will delete any software or files you may have installed or created on your hard disk since the original set-up. Back up what you would like to save.*

The equipment you need are the OmniBook, its ac adapter, a floppy drive, and a CD-ROM drive (preferably SCSI-type). You also need the *Recovery* CD-ROM and the *Support Utility* floppy disk.

1. Plug in the ac adapter to the OmniBook. Turn off the OmniBook.
2. Connect a SCSI CD-ROM drive (HP part number F1196A) to the OmniBook's docking/SCSI port according to the CD-ROM drive's instructions. (This requires a special OmniBook-to-SCSI adapter cable, HP part number F1182A, unless you are using a docking system.) If you have a non-SCSI CD-ROM drive (parallel port or PC-card slot), read the README.1ST file on the *Support Utilities* disk.)
3. Turn on the CD-ROM drive and insert the *Recovery* CD-ROM —make sure you use the correct CD-ROM.
4. Connect the floppy drive to the OmniBook. Insert the *Support Utility* floppy disk into the floppy drive.
5. Reboot the computer from the floppy by pressing the reset button. (To reboot from the floppy drive, the System Configuration Utility must have System, Boot Devices set to FDD First.)
6. When you see a menu of startup options, select Reinstall All Original Files for Windows 95. Follow the instructions and *do not interrupt the file-transfer process*. When the process finishes, your hard disk contains the original files. This process can take an hour or more.

To restore Windows for Workgroups

The following procedure describes how to restore Windows for Workgroups and your original OmniBook software. *These steps will delete any software or files you may have installed or created on your hard disk since the original set-up. Back up what you would like to save.*

The equipment you need are the OmniBook, its ac adapter, a floppy drive, and a CD-ROM drive (preferably SCSI-type). You also need the *Recovery* CD-ROM and the *Support Utility* floppy disk.

1. Install DOS 6.22 (from back-up installation disks or from purchased software) onto drive C as follows:
2. Insert MS-DOS disk #1 into the floppy drive. Switch to drive A, then format drive C by typing `FORMAT C: /U`. If you cannot format the drive, type `FDISK C:` and choose option 1 to prepare the drive for formatting. Reboot the computer and follow the instructions in the display. Install the fourth disk separately: at the `A:` prompt, type `SETUP C:\DOS`. When prompted for installation choices, choose All Components, and choose the VGA display driver. Reboot when done.
3. Install Windows for Workgroups (from back-up installation disks or from purchased software) onto drive C as follows:
 - Insert disk #1 and type `A:SETUP`.
 - Choose the Express Setup.
 - *Select all defaults for this installation. Do not install any printers or networks. Install them after the rest of this installation is complete.*The installation does not use all of the Windows disks.
4. Connect a SCSI CD-ROM drive (HP part number F1196A) to the OmniBook's docking/SCSI port according to the CD ROM drive's instructions. (This requires a special OmniBook-to-SCSI adapter cable, HP part number F1182A, unless you are using a docking system.) If you have a non-SCSI CD-ROM drive (parallel port or PC-card slot), read the README.1ST file on the *Support Utilities* disk.)
5. Turn on the CD-ROM drive and insert the *Recovery* CD-ROM—make sure you use the correct CD-ROM.
6. Insert the *Support Utilities* disk into the floppy drive.

7. Exit Windows, if necessary, then reboot the OmniBook from the Support Utilities disk by pressing the reset button. (To restart from the floppy drive, the System Configuration Utility must have System, Boot Devices set to FDD First.)
8. Select the option Install Windows for Workgroups Drivers and HP Applications Software, which loads the special drivers you need with the OmniBook. It also loads OmniBook-specific software: the online User's Guide, the Appointment Book, the Phone Book, the HP Calculator, OmniBook diagnostics, OmniBook Tools, and the icon-print routine for shortcut key assignments.
9. Select the WfW Install option appropriate for your CD-ROM drive: SCSI port or PC-card slot/parallel port.

This re-installation process can take an hour or more. When the above installation is done, you can use Windows to add printers and enable networks.

To restore an alternate operating system

The following procedure describes how to restore an alternate operating system and your original OmniBook software. *These steps will delete any software or files you may have installed or created on your hard disk since the original set-up. Back up what you would like to save.*

You provide the software to install the alternate operating system. You will need the OmniBook-specific drivers provided on the *Recovery* CD-ROM, under OMNIBOOK\DRIVERS\WINNT or OMNIBOOK\DRIVERS\VOS2. Different versions of an operating system require different drivers, so make sure to select the appropriate driver.

You can also find the drivers on the OmniBook's hard drive under C:\OMNIBOOK\DRIVERS.

CAUTION

Before you start installing a new operating system, make sure the drivers you need will be accessible after the installation .

If you do not have a CD-ROM drive, then copy the drivers you need from the OmniBook directory of the hard disk to a floppy disk. Alternatively, check our World Wide Web site (<http://www.hp.com/go/omnibook>) for the drivers.

1. Install your alternate operating system.

2. If you have a CD-ROM drive, connect it according to the instructions for your operating system. This gives you access to the information on the *Recovery* CD. Otherwise, use the floppy disk you made.
3. Load the drivers you need from the *Recovery* CD or from a floppy disk onto the hard-disk drive. Each driver includes instructions for installing it.



Troubleshooting

Troubleshooting

If you run into problems getting your OmniBook started after installing new hardware, you can use the troubleshooting suggestions in this chapter for getting back on track. If you have questions that this manual doesn't answer, try these other sources.

If the OmniBook is not running

- Check with your computer system administrator, if you have one.
- Contact your dealer, or contact Hewlett-Packard—see the *OmniBook Support and Service* booklet or OmniBook Support in the online OmniBook Library.
- Find technical information about the OmniBook on the Internet. Visit the World Wide Web site at <http://www.hp.com/go/omnibook>.

If the OmniBook is running

- See the online OmniBook *User's Guide*—it's your main source of information about using the OmniBook. It includes extensive troubleshooting information.
- If you're having a problem within one particular application, check the manual for that application, too.
- Check the documentation for your operating system. (For Windows 95, check the printed *Introducing Microsoft Windows 95* manual. For Windows for Workgroups, check the online MS-DOS and Windows manuals.)
- Look at the online Help for Windows and other applications.
- See other books about Windows, MS-DOS, and other applications. Check your local library or bookstore.
- Find technical information about the OmniBook on the Internet. Visit the World Wide Web site at <http://www.hp.com/go/omnibook>.

Solving Basic Problems

If your OmniBook has a problem starting, find the symptom below that matches your situation. Try the suggestions one at a time.

If the OmniBook turns off immediately after it turns on

- Battery power is probably extremely low. Plug in the ac adapter—or turn off the OmniBook and insert a fresh battery.

If the OmniBook stops responding

- Try waiting a few moments, then try turning it off and on.
- Press CTRL+ALT+DEL to reboot.
- If nothing happens, insert a ball-point pen tip or other slender object into the reset-button hole in the right side of the case. Push in momentarily—the system should reset and reboot.

If the OmniBook doesn't turn on

- Connect the ac adapter in case the battery is low.
- Press On/Off to try turning on the OmniBook.
- Try adjusting the display—press the ^ or v buttons above the keyboard several times or hold one of them down. Try holding the FN key at the same time.
- Insert a ball-point pen tip or other slender object into the reset-button hole in the right side of the case. Push in momentarily—the system should reset and reboot.
 - If you get no response, remove the battery, ac adapter, and all external devices, and wait 1 minute—then plug in the ac adapter and try resetting again. If you still get no response, the OmniBook requires service.

If you get an error message during startup

- See the next symptom.

If the OmniBook doesn't reboot successfully (Windows 95)

If your operating system is Windows 95

- If no text is displayed during reboot, or if the system stops before you see “Starting Windows 95...”, the OmniBook might require service. Try rebooting again. You can try to start the System Configuration Utility (press F2 during reboot), then select Factory Default Settings from the Default menu, and then select Save from the Exit menu.
- If you see “Starting Windows 95...” during startup followed by error messages, reboot again—but when you see “Starting Windows 95...”, press F8 to get the startup menu. Choose a startup option that might help you discover or fix the problem.
 - Use the “safe mode” option to start Windows with a basic configuration. Run ScanDisk (in Start, Programs, Accessories, System Tools) to fix problems with drive C. You can also make other changes to repair your startup files.
 - Use the “step-by-step” option to step through each startup command to find where problems occur, so you can repair or restore any files indicated.
- If drive C (the hard disk) isn't working properly, insert the *Support Utility* floppy disk in the floppy drive, then press CTRL+ALT+DEL to reboot from drive A—then choose the Minimum Startup option. (Note that the System Configuration Utility must have System, Boot Devices set to boot FDD First.) At the MS-DOS prompt, type `scandisk c:` to fix certain problems with drive C. You can use other commands on drive A to try to repair drive C. Then remove the floppy disk and try rebooting again. If it still doesn't start, you could try restoring the original system files on drive C.

If the OmniBook doesn't reboot successfully (Windows for Workgroups)

If your operating system is MS-DOS or Windows for Workgroups

- If no text is displayed, or if the system stops before you see any text about MS-DOS, the OmniBook might require service. Try rebooting again. You can try to start the System Configuration Utility (press F2 during reboot), then select Factory Default Settings from the Default menu, and then select Save from the Exit menu.
- If you see error messages during startup, but Windows starts or you get an MS-DOS prompt, exit Windows (if necessary), and type `scandisk` to fix problems with drive C. Then press CTRL+ALT+DEL to reboot—but at the “MS-DOS Startup Menu,” press F8 ENTER and step through each startup command to find where the problem occurs. Repair or restore the necessary files as indicated.
- If you see text about MS-DOS but things stop before Windows starts or before you get an MS-DOS prompt, insert the *Support Utility* disk or other boot disk in the floppy drive, then press CTRL+ALT+DEL to reboot from drive A. (Note that the System Configuration Utility must have System, Boot Devices set to boot FDD First.) If the OmniBook doesn't reboot from a floppy boot disk, the OmniBook probably requires service.

If it reboots, type `dir c:` to see if drive C contains valid files. Then try the following:

- If drive C has valid files, try typing these commands:
`c:\dos\scandisk` (to repair any defects)
`sys a: c:` (to restore MS-DOS boot files).
- Try typing each of these commands to see if it fixes the problem:
`fdisk /mbr` (to repair only the boot sector of drive C) and
`c:\dos\scandisk` (to repair any file defects).
- Last resort: The following commands delete all files on drive C, so try to back up your data files. You must reinstall your files after running these commands:
`fdisk` (to verify partitions on drive C)

Then restore the operating system and the special drivers and software from the *Recovery* CD—see page 1-19.

If you need to recover the online User's Guide

- If you have deleted the online User's Guide but would like to access it, you can restore it from the *Recovery* CD-ROM.
Run: `omnibook\hputil\disk1\setup.exe`.

If the OmniBook doesn't turn on with a fresh battery

- If you replaced the battery after the OmniBook turned off due to a low battery, either plug in the ac adapter—or turn off the OmniBook, then hold F4 and press the On/Off key (F4+ON) to turn it on.

If your password doesn't work

- Check whether Num Lock is off. Try changing it.
- If you've forgotten your password, have your OmniBook at hand and call Hewlett-Packard at the phone number in the *Service and Support* booklet.

If the OmniBook beeps repeatedly

- If two beeps occur every 10 seconds or so, battery power is critically low and less than 2 minutes of operation remain. Plug in the ac adapter—or turn off the OmniBook and insert a fresh battery.

If the computer seems slow

- Check that Cache is enabled (in the System Configuration Utility, open the System menu and check Enable Cache).
- You might need to install more RAM. The memory-expansion boards are HP part numbers F1167A (8 MB), F1168A (16 MB), and F1169A (32 MB).

If you cannot install Windows NT 3.51

- In the System Configuration Utility, under the System menu, Boot Devices, enable the checkbox Force PCI Bridge Configuration.

**Specifications and Regulatory
Information**

Specifications and Regulatory Information

Your OmniBook is designed to provide trouble-free operation. The following suggestions can help you maintain its dependability:

- Observe the temperature limits and other specifications listed in the next section.
- Check out the tips about ergonomics and work habits.
- If you have problems, see the problem-solving suggestions in chapter 2 of this manual.
- If you think your OmniBook might need repair service, see the warranty and service information in the *Support and Service* booklet.

To contact Hewlett-Packard: If you have questions that this manual and the online OmniBook manuals don't answer (even after looking in the contents and index), you can contact Hewlett-Packard at the address or phone number listed in the *Support and Service* booklet or in OmniBook Support in the online OmniBook Library. Please have your OmniBook with you.

To clean the OmniBook : You can clean the OmniBook with a soft cloth dampened either in clean water or in water containing a mild detergent. Do not use an excessively wet cloth nor allow water inside the case. Do not use any abrasive cleaners, especially on the display. *Do not apply any cleaner directly to the display.* Instead, apply the cleaner to a soft cloth and then gently wipe the display. You can clean the keyboard with a vacuum cleaner to remove accumulated dust.

Hardware Specifications

Floppy disk drive	Modular 3.5 inch 1.44-MB floppy disk drive with cable.
Hard disk drive	Modular 2.5-inch IDE drive. Available capacities: 810 MB and 1.44 GB.
Temperature	Operating: 10 to 35 °C (50 to 95 °F) on TFT, 5 to 35 °C (41 to 95 °F) on DSTN. Storage: -40 to 60 °C (-40 to 140 °F). The OmniBook may not operate properly below 5 °C (41 °F), but it can be stored at temperatures down to -40 °C (-40 °F) without damaging the hardware.
Humidity	Operating: 90% relative humidity at 35 °C (95 °F) maximum. Storage: 90% relative humidity at 60 °C (140 °F) maximum.

Regulatory Information

This section presents information that shows how the F1059B floppy disk drive, F1059C floppy disk drive, F1164A 810-MB hard disk drive, and F1166A 1.44-GB hard disk drive complies with regulations in certain regions. Any modifications to the OmniBook not expressly approved by Hewlett-Packard could void the authority to operate the OmniBook in these regions.

U.S.A.

The HP F1059B/C generates and uses radio frequency energy and may interfere with radio and television reception. The floppy drive complies with the limits for a Class B computing device as specified in Part 15 of FCC Rules, which provide reasonable protection against such interference in a residential installation. The “FCC ID” number for this product is listed on the bottom of the OmniBook. In the unlikely event that there is interference to radio or television reception (which can be determined by removing the OmniBook’s batteries and ac adapter), try the following:

- Reorienting or relocating the receiving antenna.
- Relocating the floppy drive with respect to the receiver.
- Connecting the OmniBook ac adapter to another power outlet.

Connections to Peripheral Devices

To maintain compliance with FCC Rules and Regulations, use shielded cables supplied with this device.

For more information, consult your dealer, an experienced radio/television technician, or the following booklet, prepared by the Federal Communications Commission: How to Identify and Resolve Radio-TV Interference Problems. This booklet is available from the U.S. Government Printing Office, Washington, DC 20402, Stock Number 004-000-00345-4. At the first printing of this manual, the telephone number was (202) 512-1800.

Canada

This digital apparatus does not exceed the Class B limits for radio noise emissions from digital apparatus as set out in the radio interference regulations of the Canadian Department of Communications.

Le présent appareil numérique n'émet pas de bruits radioélectriques dépassant les limites applicables aux appareils numériques de Classe B prescrites dans le règlement sur le brouillage radioélectrique édicté par le Ministère des Communications du Canada.

Japan

この装置は、情報処理装置等電波障害自主規制協議会（VCCI）の基準に基づく第二種情報技術装置です。この装置は、家庭環境で使用することを目的としていますが、この装置がラジオやテレビジョン受信機に近接して使用されると、受信障害を引き起こすことがあります。

取扱説明書に従って正しい取り扱いをして下さい。

Europe

Products sold in Europe by Hewlett-Packard and its authorized dealers meet the specifications listed below.

Declaration of Conformity (according to ISO/IEC Guide 22 and EN 45014)

Manufacturer:	Hewlett-Packard Company
Address:	Hewlett-Packard Co. Mobile Computing Division 1000 NE Circle Blvd. Corvallis, OR 97330
Product name:	declares that the following products HP F1164A and F1166A hard disk drives HP F1059B and F1059C external floppy disk drives
Options:	All
Safety:	conforms to the following product specifications
EMC:	IEC 950:1991+A1,A2 / EN 60950 (1992)+A1,A2 CISPR 22:1993 / EN 55022 (1994): Class B [1] EN 50082-1:1992 IEC 1000-4-2:1995 / prEN 55024-2 (1992): 4kV CD, 8kV AD IEC 1000-4-3:1995 / prEN 55024-3 (1991): 3V/m IEC 1000-4-4:1995 / prEN 55024-4 (1992): 0.5 kV signal lines, 1.0kV power lines [2]
Supplementary Information:	The product herewith complies with the requirements of the Low Voltage Directive 73/23/EEC and the EMC Directive 89/336/EEC.

[1] The product was tested in a typical configuration with Hewlett-Packard personal computer peripherals.

[2] When tested in accordance with OmniBook computers.

Quality Department
Hewlett-Packard Company
Mobile Computing Division