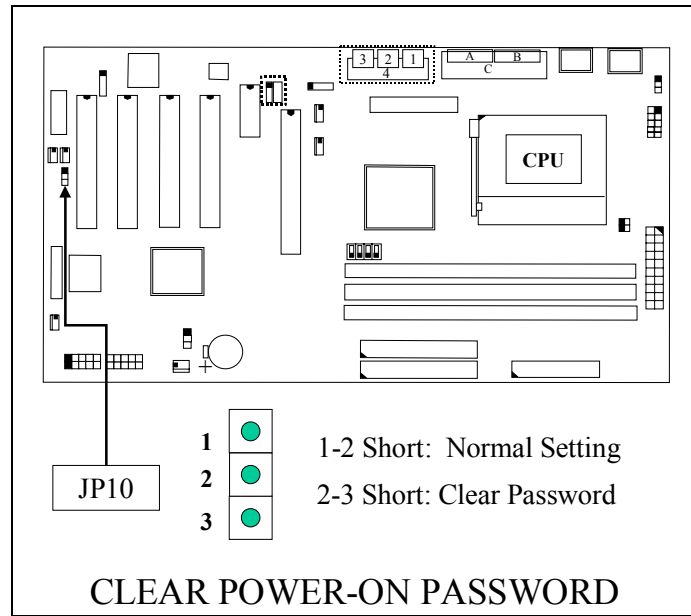


## IMPORTANT UPDATE INFORMATION

There is the Keyboard Password and Hot Key power on function designed on the mainboard (see page 2-2 and Section 4-7 in the user's manual). In case that you forget the Keyboard Hot Key and Power-On password, you can use JP10 to clear the password.

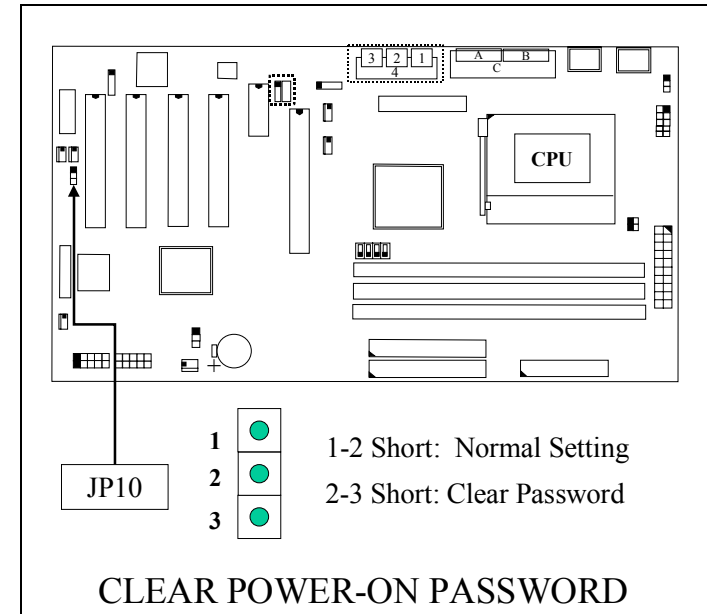


1. Turn the system power "OFF"
2. Put the shorting rod on Pin2 and Pin3 for 3 ~ 5 second.
3. Put the shorting rod the default position Pin 1 and Pin2.
4. Password is cleared and you can use the power button to power on the PC system.

DOC NO: UM-815TX-L1

## IMPORTANT UPDATE INFORMATION

There is the Keyboard Password and Hot Key power on function designed on the mainboard (see page 2-2 and Section 4-7 in the user's manual). In case that you forget the Keyboard Hot Key and Power-On password, you can use JP10 to clear the password.



1. Turn the system power "OFF"
2. Put the shorting rod on Pin2 and Pin3 for 3 ~ 5 second.
3. Put the shorting rod the default position Pin 1 and Pin2.
4. Password is cleared and you can use the power button to power on the PC system.

DOC NO: UM-815TX-L1