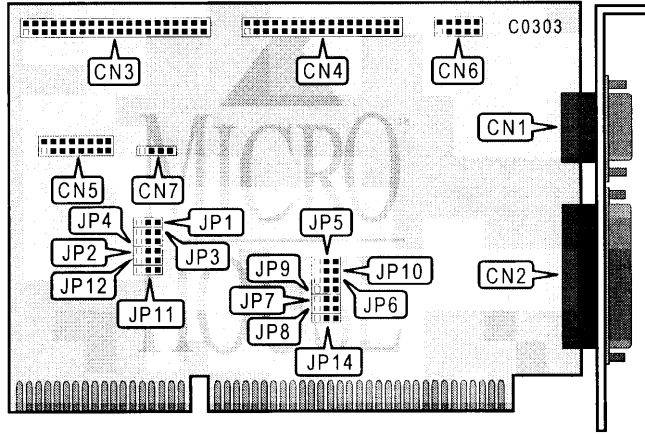


PINE TECHNOLOGY USA
PT-604

Q1/93

Data bus: 16-bit, ISA
 Size: Half-length, full-height card
 Hard drives supported: Two IDE (AT) Interface drives
 Floppy drives supported: Two 360KB, 720KB, 1.2MB or 1.44MB drives



CONNECTIONS	
Function	Location
9-pin serial port 1 (COM1/3)-internal	CN1
25-pin parallel port (LPT1/2)-external	CN2
40-Pin AT Interface (IDE) connector-internal	CN3
34-pin control cable connector-floppy drive	CN4
16-pin game port-internal	CN5
9-pin serial port 2 (COM2/4)-internal	CN6
4pin connectordrive active LED	CN7

Continued on next page. . .

PINE TECHNOLOGY USA
PT-604

... continued from previous page

USER CONFIGURABLE SETTINGS		
Function	Location	Setting
☞ Floppy drive controller enabled	JP1	pins 1 & 2 closed
Floppy drive controller disabled	JP1	pins 2 & 3 closed
☞ Hard drive port address is 1F0-1F7h	JP2	pins 1 & 2 closed
Hard drive port address is 170-177h	JP2	Dins 2 & 3 closed
☞ Floppy drive port address is 3F1-3F7h	JP3	pins 1 & 2 closed
Floppy drive port address is 371-377h	JP3	pins 2 & 3 closed
☞ Hard drive controller enabled	JP4	pins 1 & 2 closed
Hard drive controller disabled	JP4	pins 2 & 3 closed
☞ Parallel Port (CN2) is set to LPT1 (378h)	JP5	pins 1 & 2 closed
Parallel Port (CN2) is set to LPT2 (278h)	JP5	pins 2 & 3 closed
☞ Serial Port 1 (CN1) is set to COM1 (3F8h)	JP6	pins 1 & 2 closed
Serial Port 1 (CN1) is set to COM3 (3E8h)	JP6	pins 2 & 3 closed
☞ Serial Port 2 (CN6) is set to COM2 (2F8h)	JP7	pins 1 & 2 closed
Serial Port 2 (CN6) is set to COM4 (2E8h)	JP7	pins 2 & 3 closed
☞ Serial Port 2 (CN6) is enabled	JP8	pins 1 & 2 closed
Serial Port 2 (CN6) is disabled	JP8	pins 2 & 3 closed
☞ Serial Port 1 (CN1) is enabled	JP9	pins 1 & 2 closed
Serial Port 1 (CN1) is disabled	JP9	pins 2 & 3 closed
☞ Parallel Port (CN2) enabled	JP10	pins 1 & 2 closed
Parallel Port (CN2) disabled	JP10	pins 2 & 3 closed
☞ Floppy drive controller enabled	JP11	pins 2 & 3 closed
Floppy drive controller disabled	JP11	pins 1 & 2 closed
☞ Game Port (CN5) enabled	JP14	pins 1 & 2 closed
Game Port (CN5) disabled	JP1A	pins 2 & 3 closed