

KK266plus-R Quick Installation

Information contained in this publication has been carefully checked for accuracy and reliability. In no event will IWILL Computer Corporation be held liable for any direct or indirect, incidental or consequential damage, loss of use, loss of data, or other malady resulting from errors or inaccuracies in this publication. The information in this publication is subject to change without notice.

Copyright © IWILL Computer Corporation, 2001. All rights reserved.
No part of this manual may be reproduced or translated without prior written consent from IWILL Computer Corporation.

All registered and unregistered trademarks and company names contained in this manual are the property of their respective companies including, but not limited to the following:

KK266plus-R and *MicroStepping* are trademarks of IWILL Computer Corporation.
AMD Athlon and Duron are trademarks of the AMD Corporation.
VIA KT133A is a trademark of VIA Corporation.
Windows is a registered trademark of Microsoft Corporation.
IBM, PC, AT, and PS/2 are trademarks of IBM Corporation.



KK266plus-R Quick Installation

The IWILL **KK266plus-R** motherboard is a high-performance desktop motherboard based on the VIA KT133A chipset. The **KK266plus-R** is a high quality and performance motherboard designed for Socket 462 AMD Athlon and Duron CPUs. The **KK266plus-R** uses IWILL's patented *MicroStepping* technology to support CPU speeds of 700MHz through 1.6GHz and higher at host bus speeds of 100 to 266MHz in 1MHz increments.

For latest CPU compatibility support, please refer to the CPU compatibility chart in the IWILL FAQ at our Support Web Site: <http://support.iwill.net>

Hardware Installation Steps:

1. Set Jumpers to Hardware Defaults for CPU and Other Devices.
2. Install CPU, heat sink, and CPU Cooling Fan.
3. Install Memory Modules Beginning with DIMM0
4. Mount Motherboard in Chassis.
5. Connect IDE and Floppy Drives
6. Install Add-On Cards
7. Connect PS/2, Serial, and Parallel Devices.
8. Connect Power Supply to motherboard.
9. Power on the system

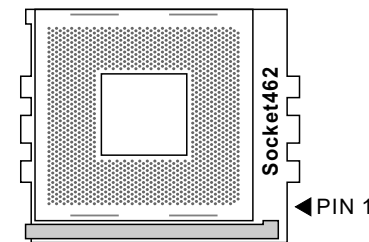
BIOS Setup and Software Installation Steps:

1. Access the BIOS Setup program by pressing the "Delete" key at system startup.
2. **<Load Defaults Setting>** for initial system configuration and setup or to restore default settings if your system is experiencing setup or configuration problems.
3. **<Load Optimal Defaults>** will configure preset options designed for maximum performance, but may not work for all applications or hardware configurations.
4. Save BIOS settings, exit setup and then install Operating System Software.

Drivers and Patch Installation Steps:

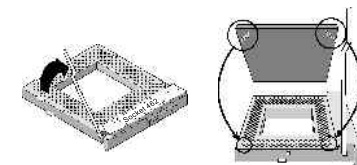
1. The IWILL Power Installer CD contains all drivers and applications for the KK266plus-R.
2. Insert the Power Installer in your CDROM drive to auto detect the IWILL motherboard version and the CD Installation Menu.
3. Press **<Auto Installation>** to install drivers and applications for this board.

Install a CPU



Make sure that the heatsink is mounted tightly against the CPU. Make sure also that there is sufficient air circulation across the CPU's heatsink by regularly checking that your CPU fan is working. Without sufficient circulation, the CPU and motherboard could overheat and damage.

Socket 462 Processor Installation Notes



Install 6 Channel Speaker

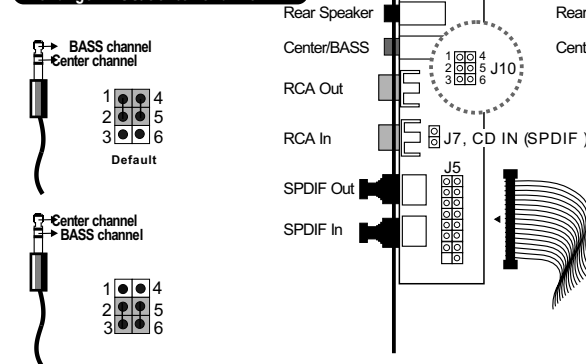
6 Speaker Introduction

With a maximum of 6 separate or "discrete" channels, the left, Center and right channels located in front of you provide precise, clear positioning of dialogue. Two separate channels located behind you deliver immersive ambient sound whilst the BASS/effects channel sends an explosive punch during action sequences. The combination of 5 discrete channels and 1 BASS is commonly known as the 6 configuration.

How to enjoy it?

The six speakers function will only be supported in softwares that use DirectX and Creative EAX, for example, the game titles, DVD player and MP3 player.

J10 Exchange BASS/Center Channel



PS/2 Keyboard PS/2 Mouse

USB 1 USB 0 Parallel Port

Com1 Com2

Front-Speaker Line In Mic

CENTER BASS

Front Rear

6 Channel Audio

Rear Speaker Center/BASS

J5 J10

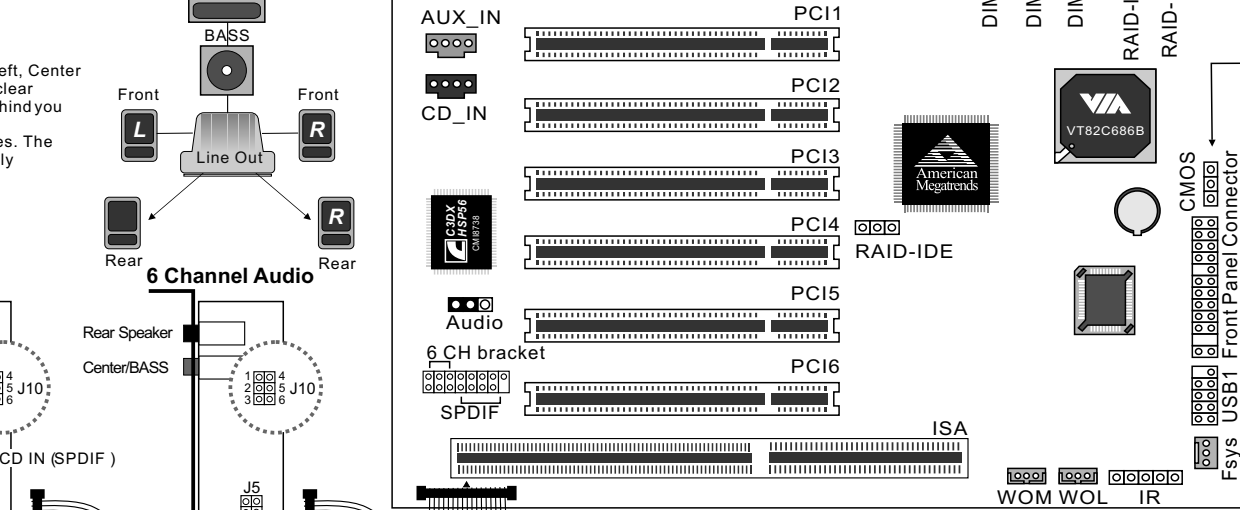
Rear Speaker Center/BASS

J5 J10

SPDIF Out SPDIF In

SPDIF

SPDIF

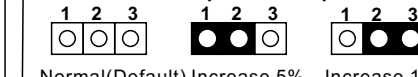


Install Memory

KK266plus-R motherboard has 3 memory module (DIMM) sockets. The BIOS will automatically detects memory type and size. To install the memory module, just push it vertically into the DIMM Slot. The DIMM module can only fit in one direction due to the two notch. Maximum memory up to 1.5GHz

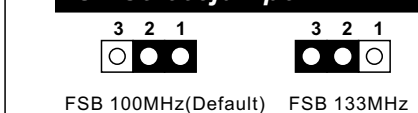
VIO Setting

VIO allows you to select the voltage supplied to the clock generator and chipset. (for Overclocking Only) The default value should be used for better system reliability.

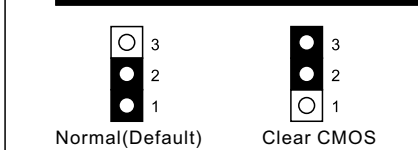


WARNING!
Using a higher voltage may help when overclocking but may result in the shortening of motherboard component's life and damage the CPU. It is strongly recommended that leave these setting on their default.

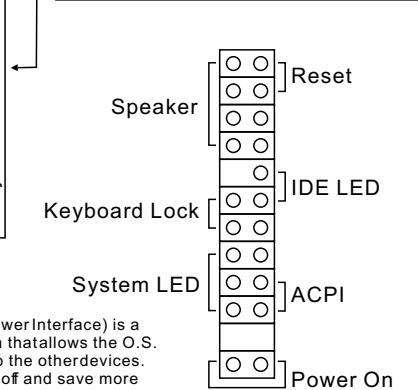
FSB select jumper



Clear CMOS Function



Front Panel Connector



ACPI (Advanced Configuration and Power Interface) is a power management specification that allows the O.S. to control the power distributed to the other devices. Devices not in use can be turned off and save more energy.

KK266plus-R 快速安装手册中文版

版权声明

美商艾威系依法注册之商标。而本快速安装手册所包含之所有著作、资料及图面，其著作权、商标、智慧财产权、所有权，均为美商艾威所有，除事先经美商艾威合法授权外，任何人皆不得擅自复制、重制、改作、编辑、散布、传输或租用、出售或以其他任何形式、基于任何目的加以使用，否则应负所有法律责任，美商艾威得依法请求赔偿。美商艾威将追究相关之法律责任。

使用须知

美商艾威产品使用手册受国际版权法律的保护，美商艾威将保留所有法律权利，未经过本公司书面同意，不得擅自更改本安装手册的任何内容或图片。未经授权而使用此安装手册之相关资料，将会导致法律版权处分。本手册所提到的产品规格及资讯仅供参考，本手册内容将会因需要而更新，您可以随时至我们的网站下载最新的使用手册，我们的网址是 <http://www.iwill.com.cn>

本手册内容所出现的所有商标级产品名称，其版权均为该合法注册公司所有。

版权所有，不得翻印 ©2001 美商艾威

2001, 3月 美商艾威市场部手册制作组



KK266plus-R 简易安装步骤

艾威KK266plus-R 主板是一片适合于高效能的桌上型电脑的主板，KK266plus-R主板采用VIA最新的KT133A芯片组，适用于Socket 462的中央处理器，如 AMD Athlon和Duron CPU. 艾威KK266plus-R主板提供了艾威微调超频(MicroStepping)功能能支援处理器速度从700MHz一直到1.6 GHz 或更高，而前端总线也能以1MHz的间隔，慢慢调整出适合的系统速度。

其他最新有关于艾威KK266plus-R主板及支援之处理器的相关资讯，请参考艾威FAE支援网站网址是 <http://support.iwill.net>

硬件安装步骤

1. 主板跳线设定
2. 将主板安装在机壳上面
3. 安置中央处理器与风扇
4. 安装系统内存
5. 连接硬盘与软盘
6. 安装其他附加卡
7. 安装滑鼠、键盘或其他输入周边
8. 连接电源于ATX 排线上面
9. 打开电源

软件安装步骤

进入BIOS设定画面

1. 按下 "Delete" 按键，当画面出现时
2. 选择<Load Defaults Setting>
假定系统出现不稳或是您需要回复出厂的设定时
3. 选择<Load Optimal Defaults>
这将会让您的系统保持在最佳的效能状态，但是不保证适合所有的硬件周边环境

安装驱动程序以及其他软件

1. 艾威提供的 Power Installer 激光片包含所有的KK266plus-R驱动程序
2. 置入Power Installer 激光片，将会自动出现对话框
3. 此Power Installer为自动侦测主板的型号和版本
4. 按下 <Auto Installation>就能安装所有KK266plus-R需要的软件

